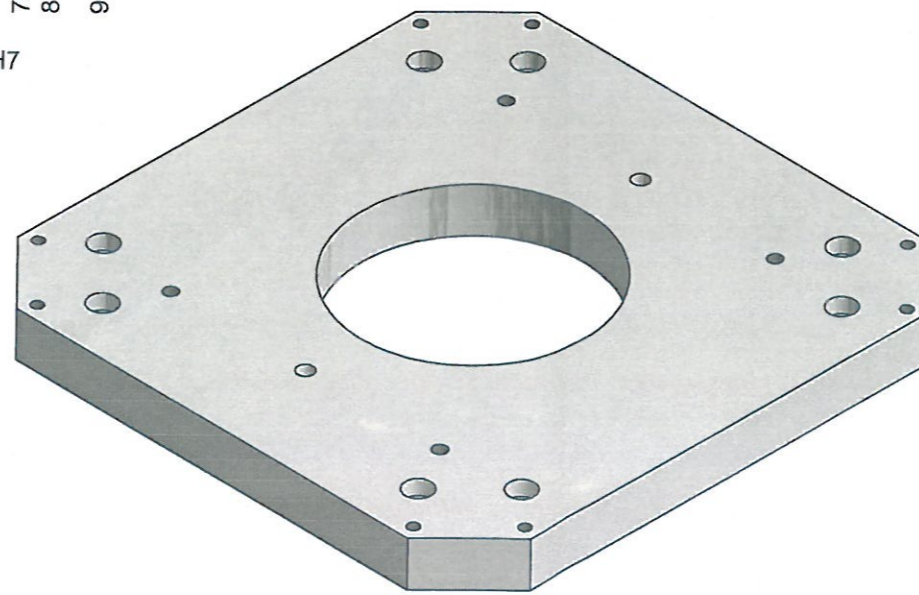
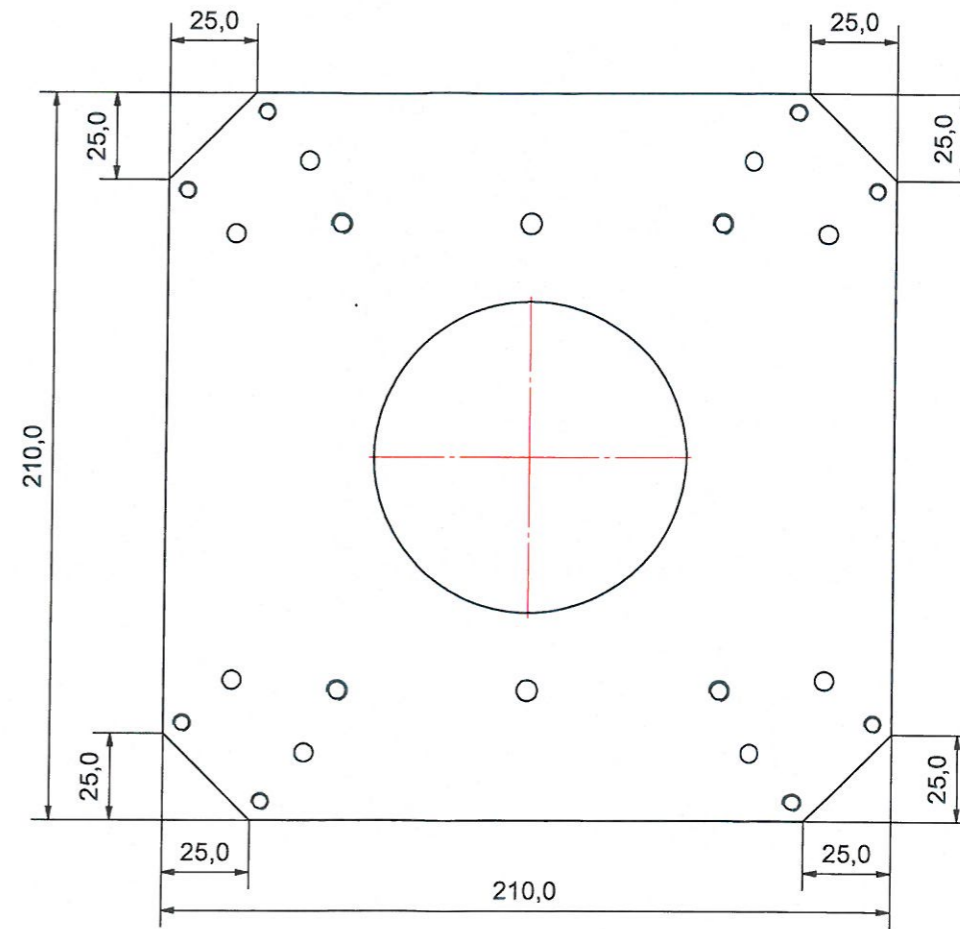
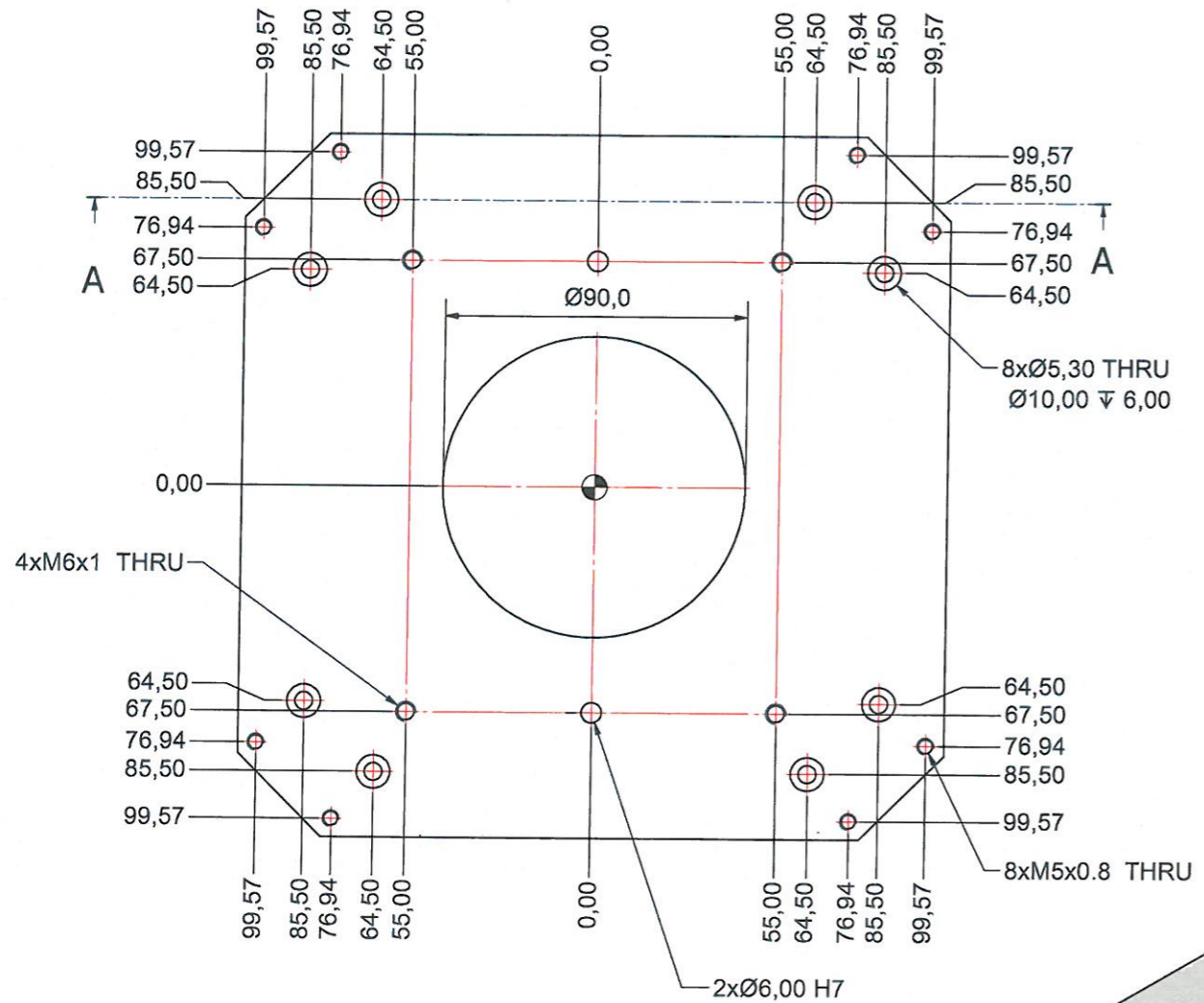

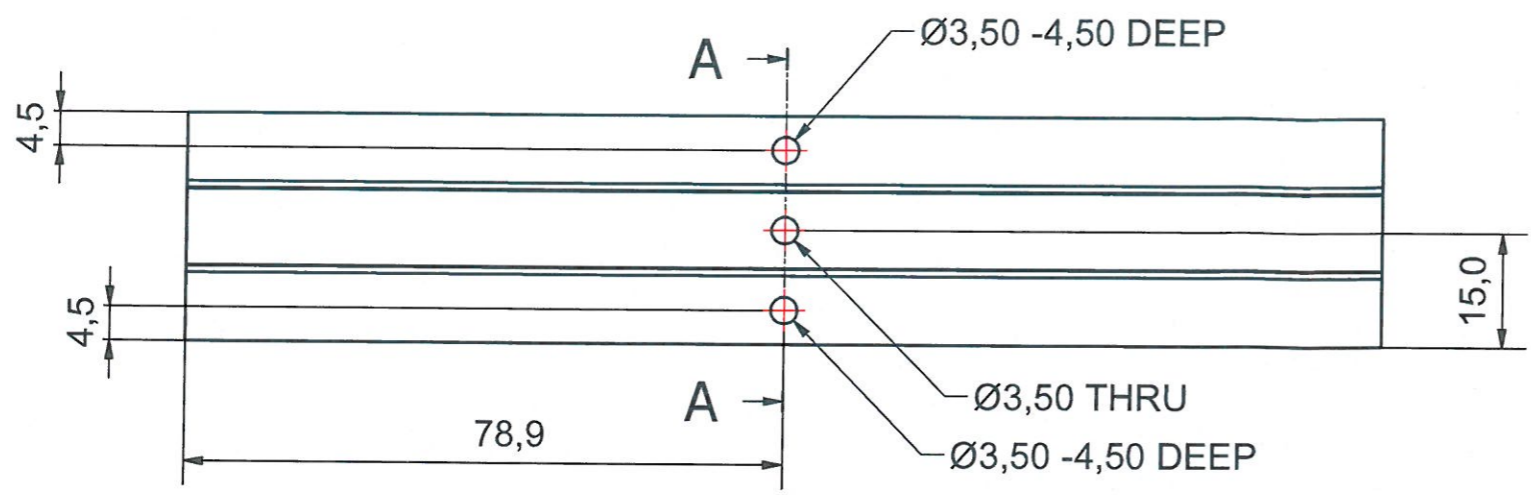


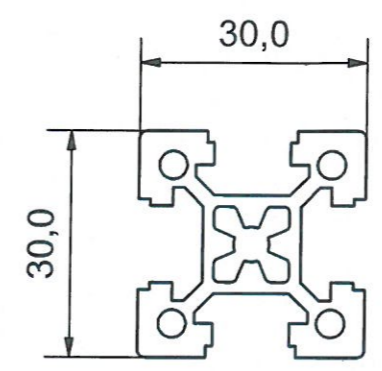
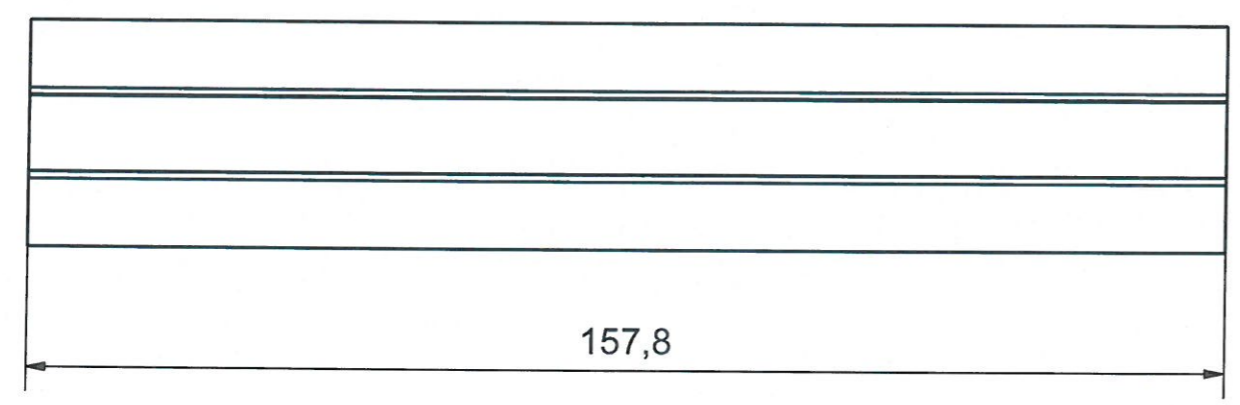
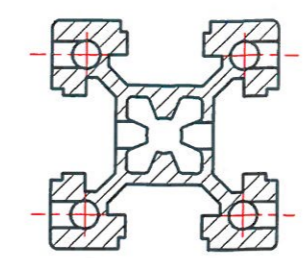
A-A (1 : 1,5)



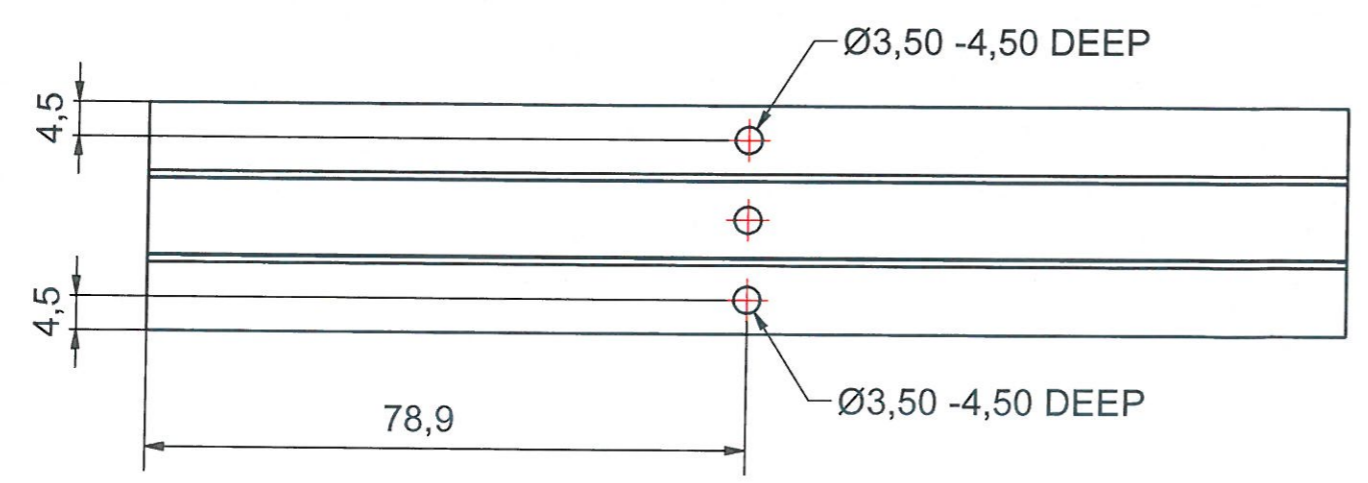
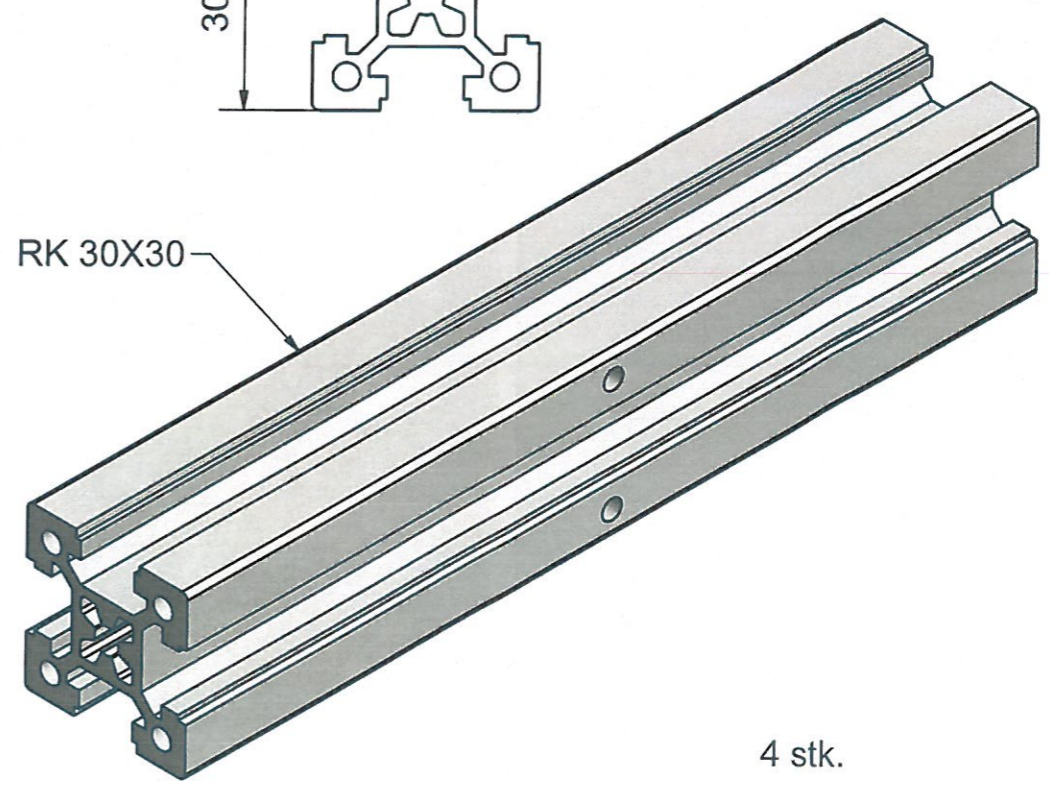
Department of Physics and Astronomy University of Aarhus		IFA 	Mtr Aluminum Designer Henrik Juul
Project		Creation date: 15-03-2017 Last saved: 28 jan 2014, 11:54	Rev no.
Created by: Henrik Juul		019068 - Top plate support alu	A2
C:\Working Folder\Designs\Hans Fynbol\3D Detectorholder\Support\019068 - Top plate support alu.ipt			




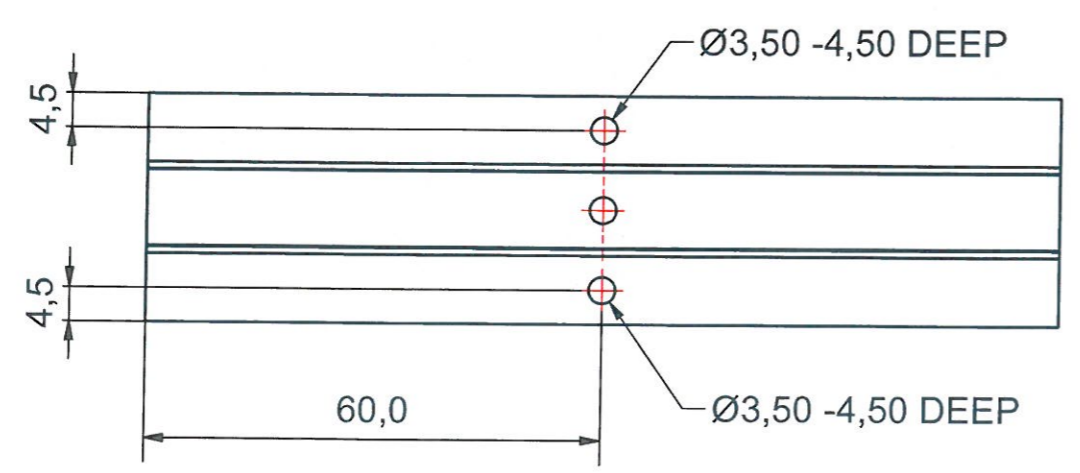
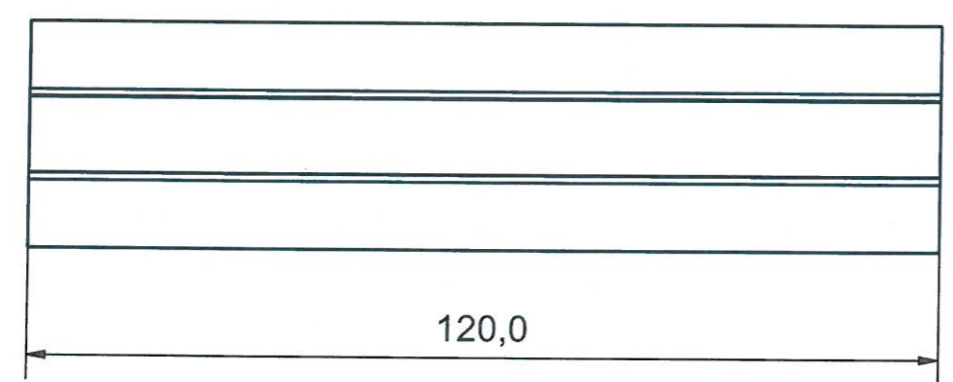
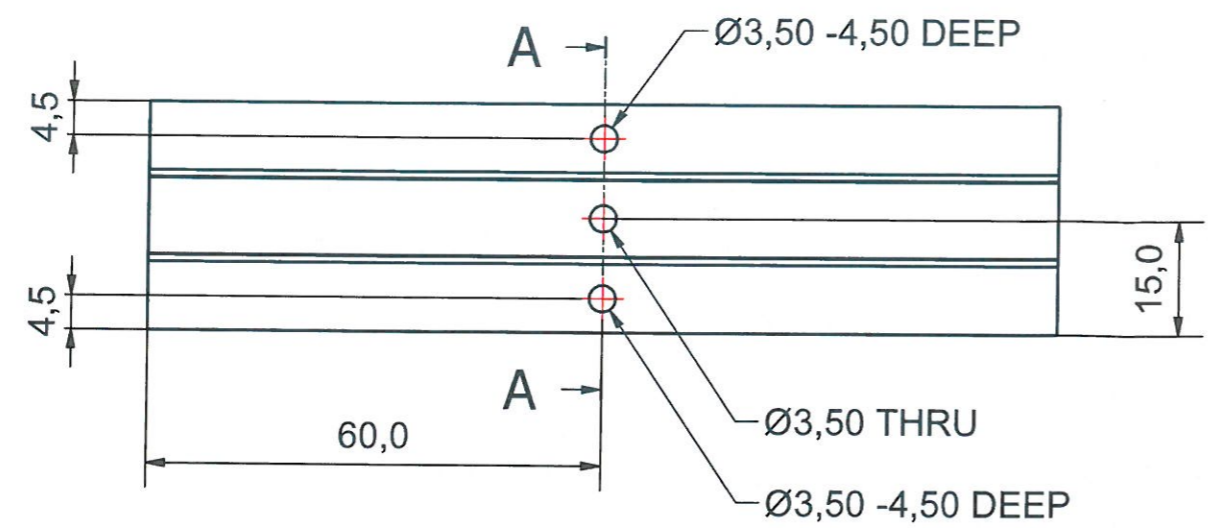
A-A (1:1)



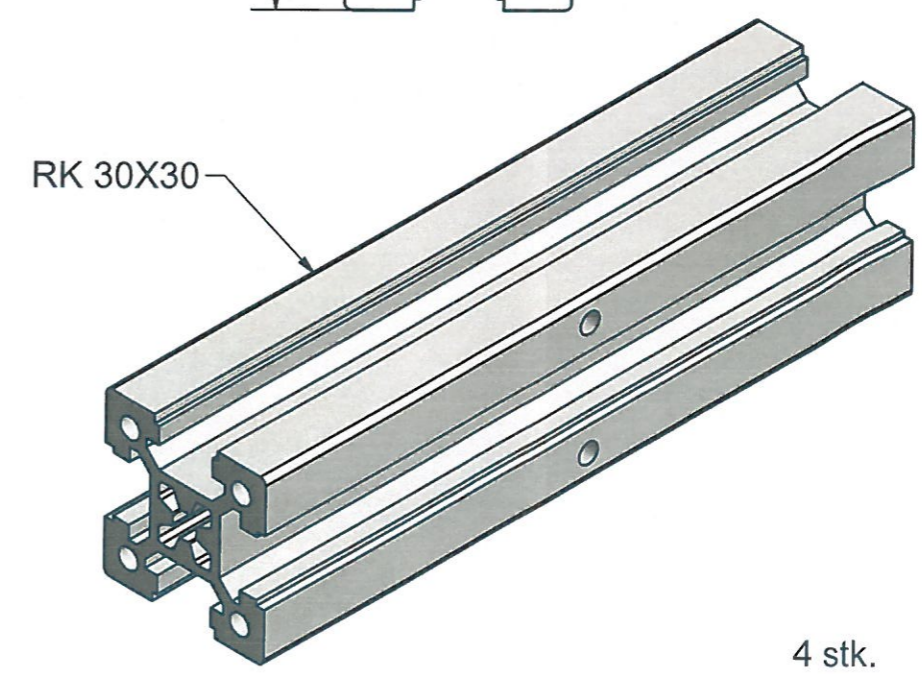
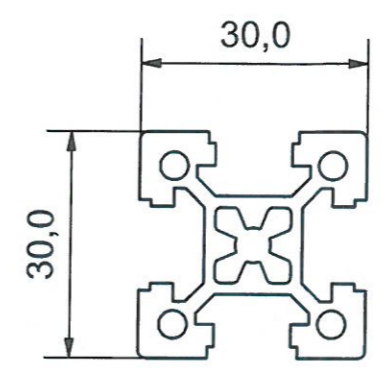
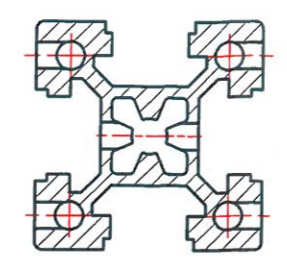
RK 30X30



Department of Physics and Astronomy University of Aarhus						Mtr Aluminum	
						Designer Henrik Juul	
				Project			
				Creation date: 09-03-2017			
				Last saved: 28 jan. 2014, 11:54		018701 - Ben support RK 30X30	
				Created by: hjuul		Rev no.	
Rev	Changes	Date	Name			A3	
C:\Working Folder\Designs\Hans Fynbo\3D Detectorholder\Support\018701 - Ben support RK 30X30.ipt							

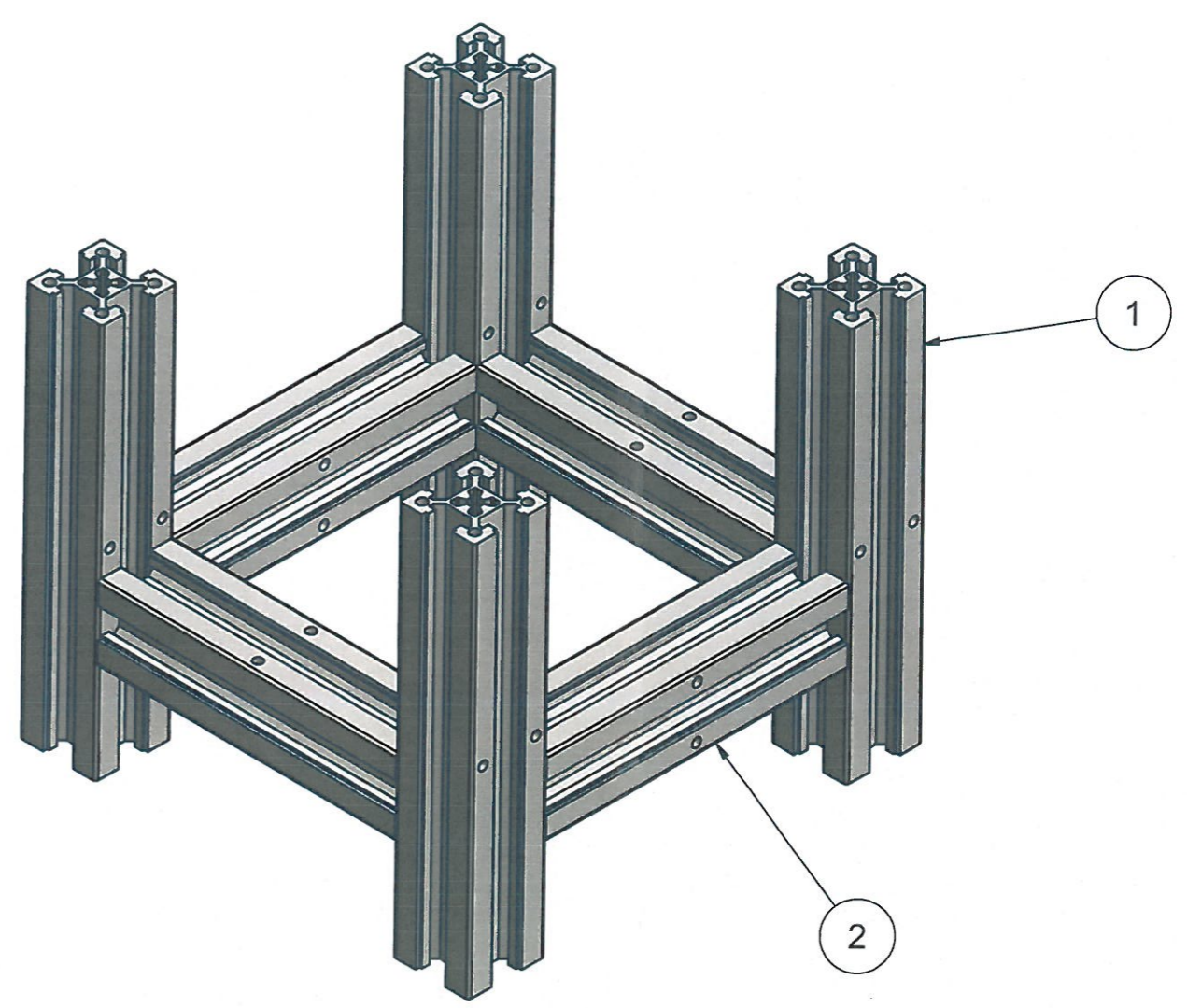
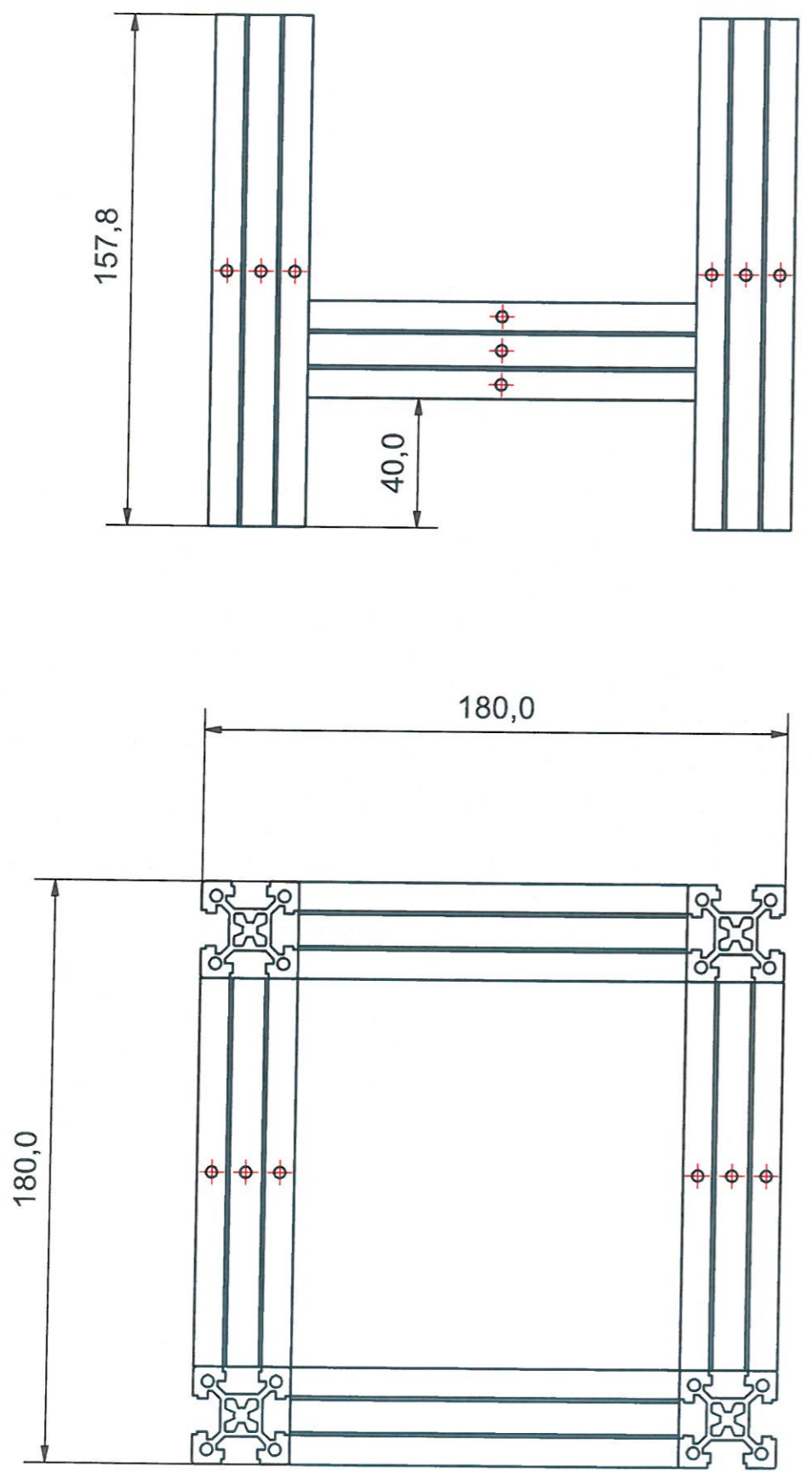


A-A (1:1)




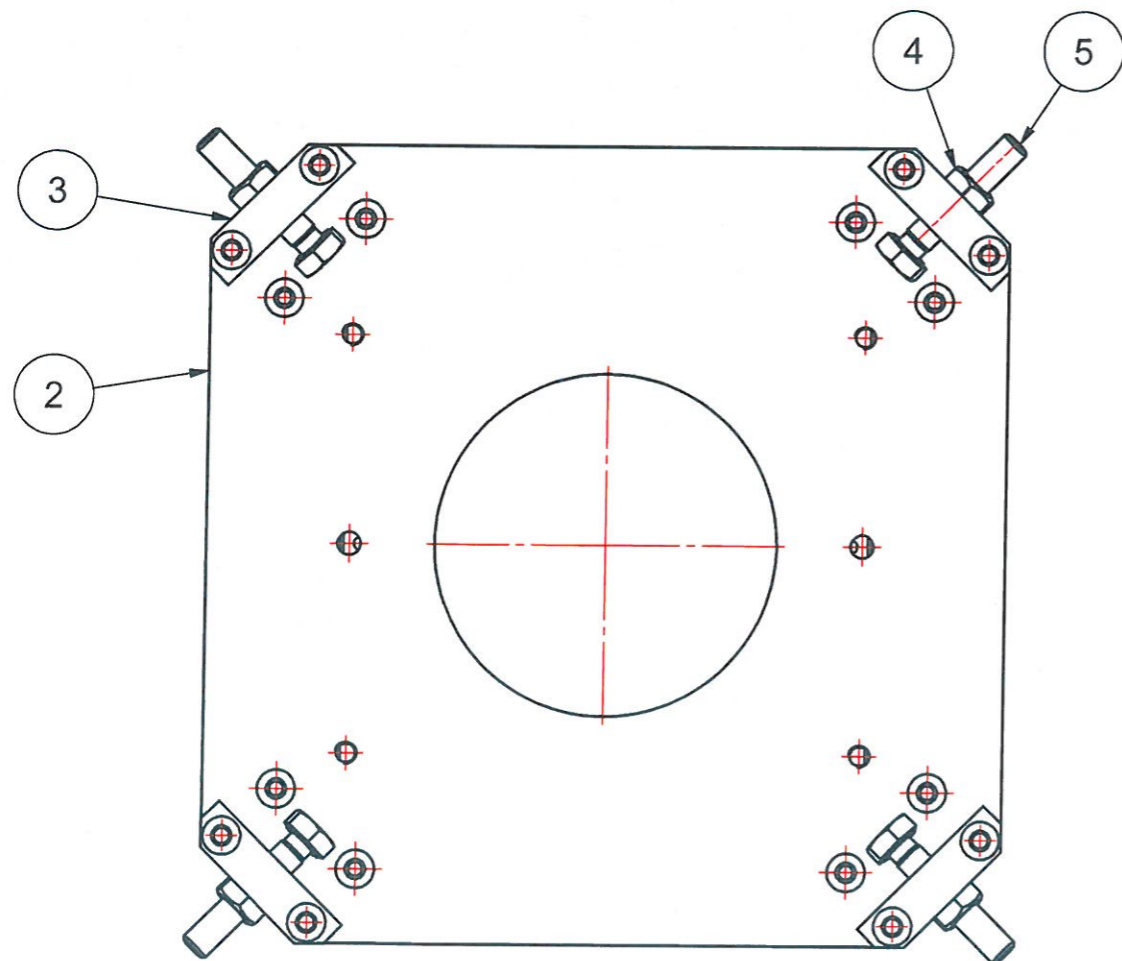
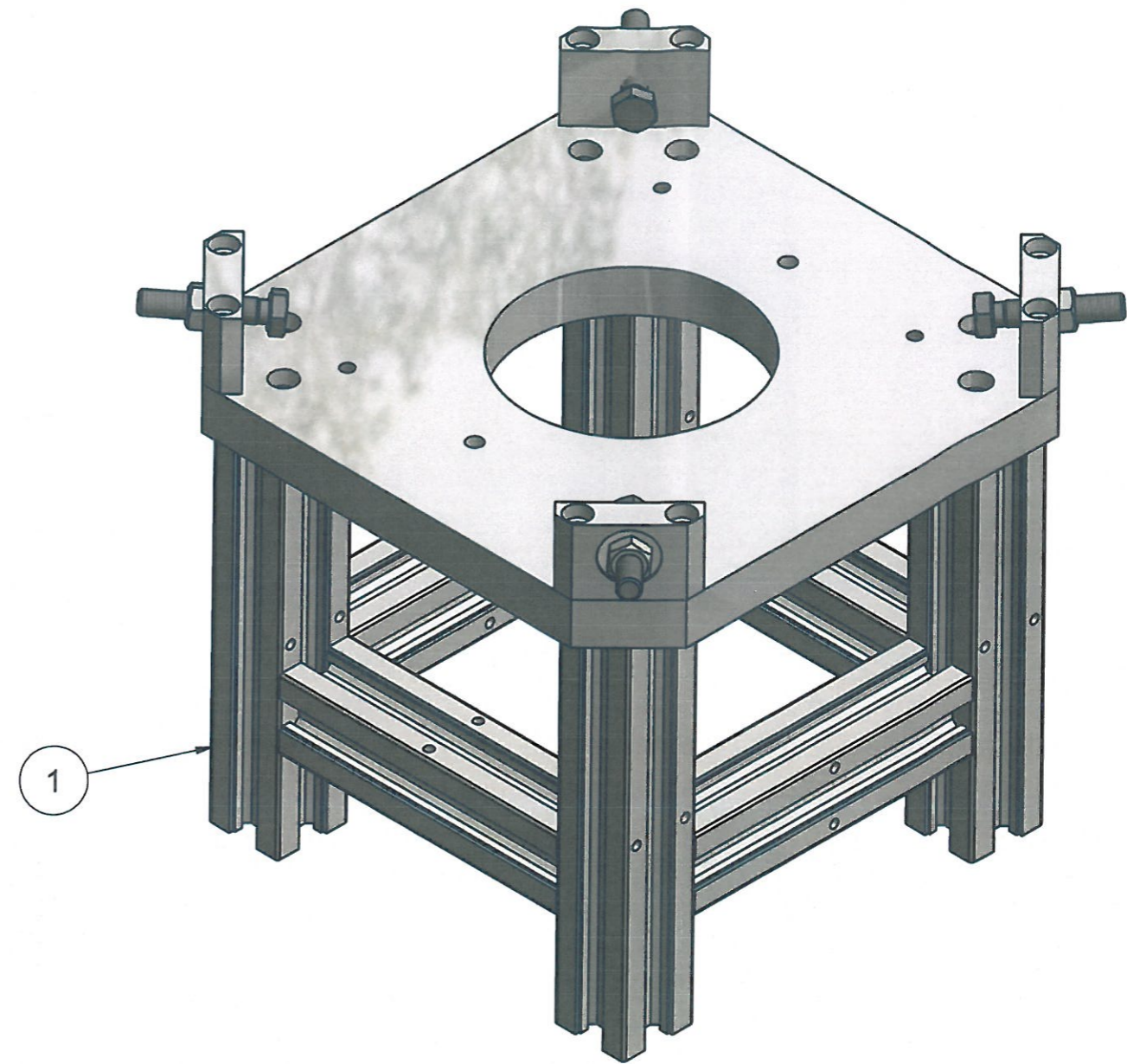
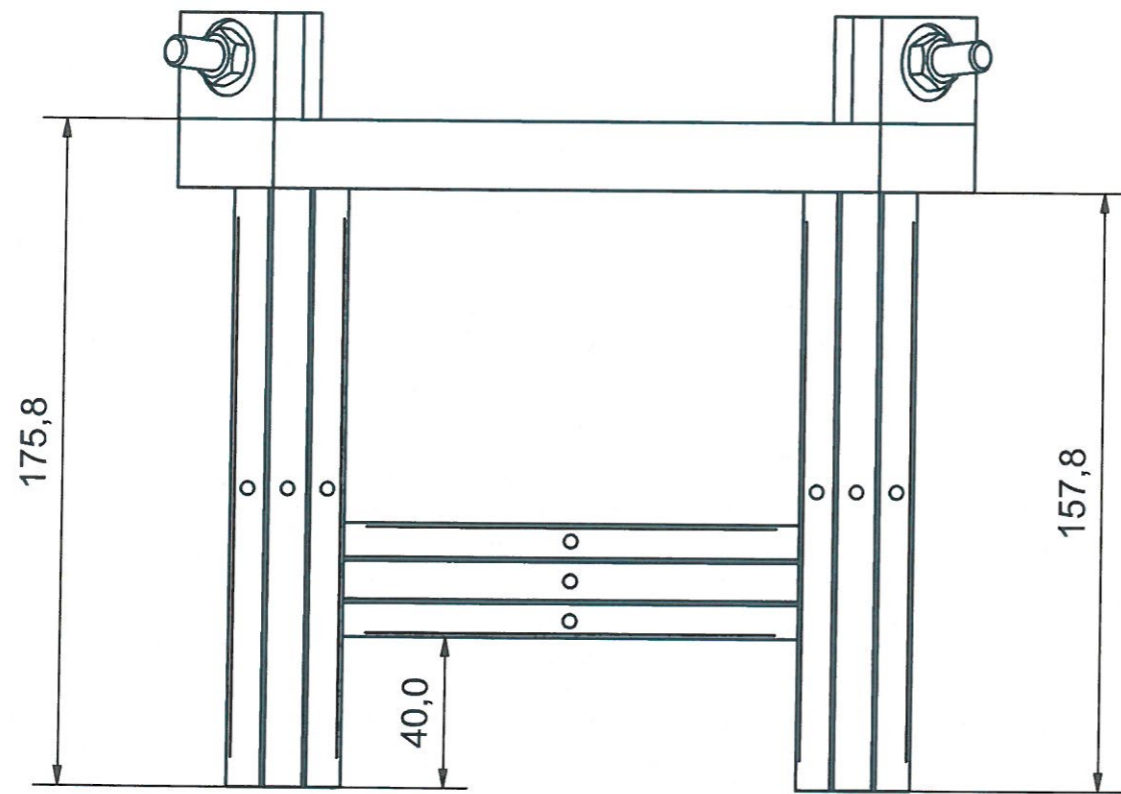
4 stk.


Department of Physics and Astronomy University of Aarhus						Mtr Aluminum	
						Designer Henrik Juul	
				Project			
				Creation date: 09-03-2017		018703 - Ramme mellem support RK 30X30	
				Last saved: 28 jan. 2014, 11:54			
				Created by: hjuul		Rev no.	
						A3	
C:\Working Folder\Designs\Hans Fynbo\3D Detectorholder\Support\018703 - Ramme mellem support RK 30X30.ipt							



Parts List			
ITEM	QTY	PART NUMBER	DESCRIPTION
1	4	018701 - Ben support RK 30X30	
2	4	018703 - Ramme mellem support RK 30X30	

Department of Physics and Astronomy University of Aarhus		IFA 		Mtr
		Project		Designer Henrik Juul
		Creation date: 09-03-2017		Rev no. 018704 - Support frame assem
		Last saved: 28 jan. 2014, 11:54		
Rev	Changes	Date	Name	Created by: Henrik Juul
C:\Working Folder\Designs\Hans Fynbo\3D Detectorholder\Support\018704 - Support frame assem.iam				A3



Parts List				
ITEM	QTY	PART NUMBER	DESCRIPTION	
1	1	018704 - Support frame assem		
2	1	019068 - Top plate support alu		
3	4	019069 - Threaded block		
4	4	DIN 934 - M8	Hex Nut	
5	4	DIN 933 - M8 x 40	Hex-Head Bolt	
Department of Physics and Astronomy University of Aarhus		IFA 		Mtr Designer Henrik Juul
		Project		
		Creation date: 09-03-2017		019015 - Support frame total assem
		Last saved: 28 jan. 2014, 11:54		
Rev	Changes	Date	Name	Created by: Henrik Juul
				Rev no. A3