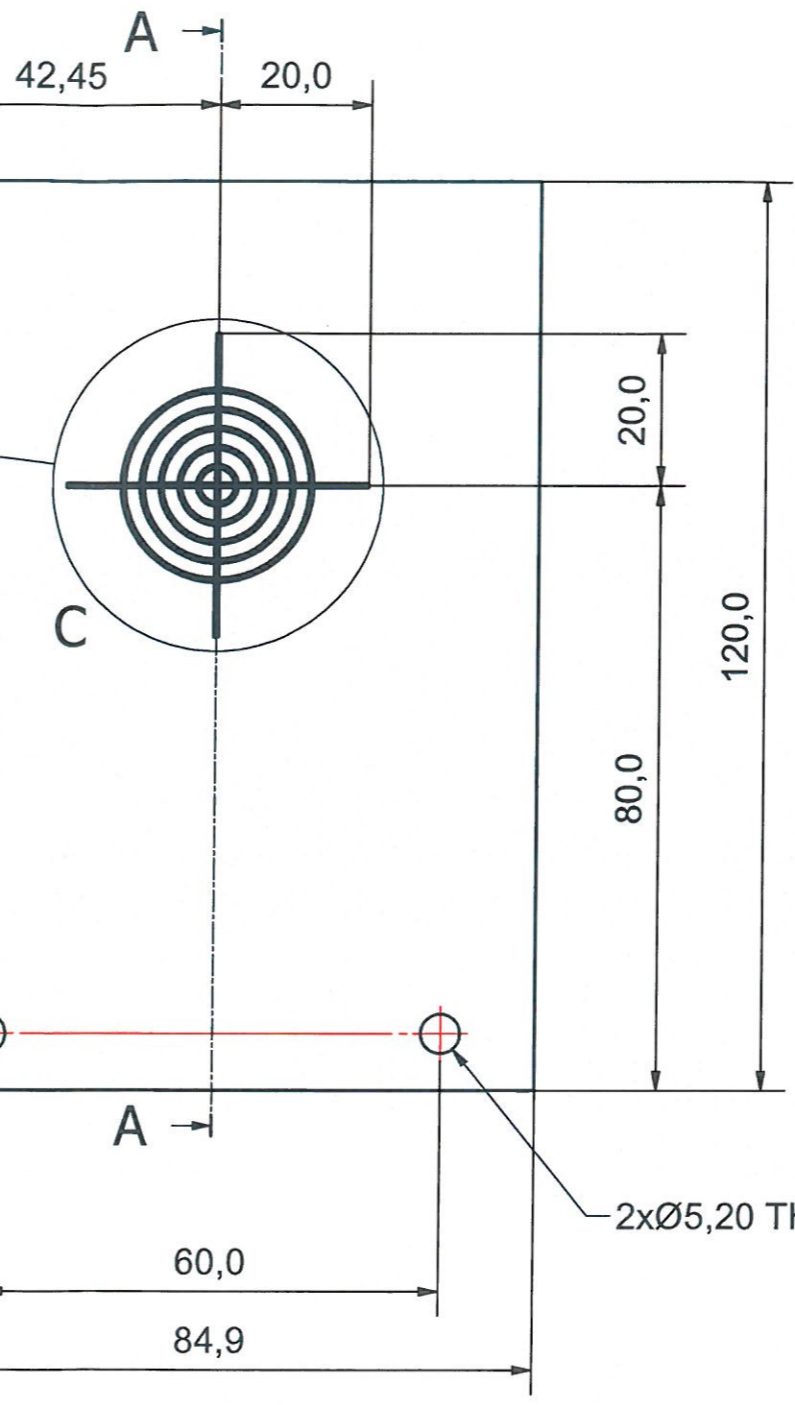
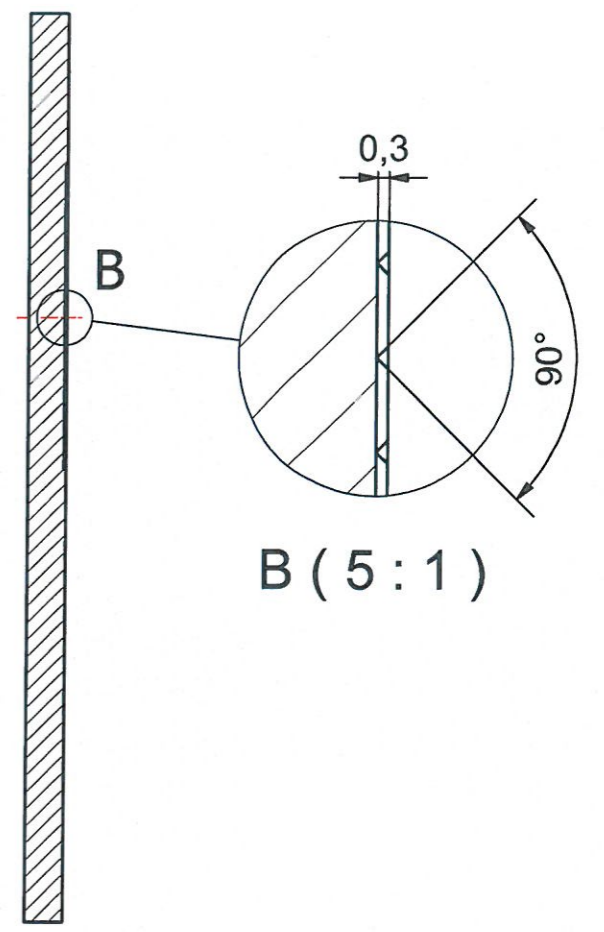


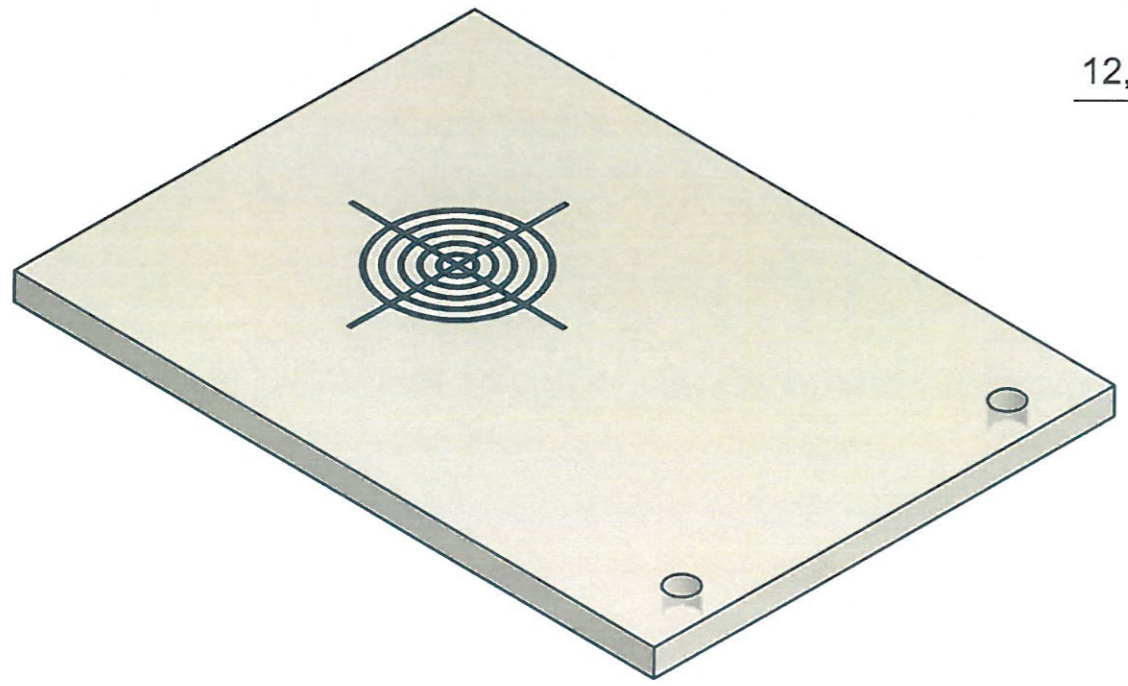
C (2:1)




A-A (1:1)



B (5:1)



2 stk.

Department of Physics and Astronomy University of Aarhus				IFA 		Mtr Polycarbonate, Clear	
						Designer Henrik Juul	
				Project			
				Creation date: 16-03-2017			
				Last saved: 28 jan. 2014, 11:54			
				Created by: Henrik Juul		019079 - Alignment plate	
						Rev no. A3	