
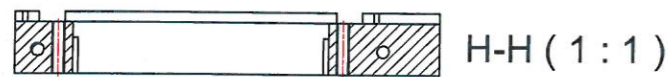
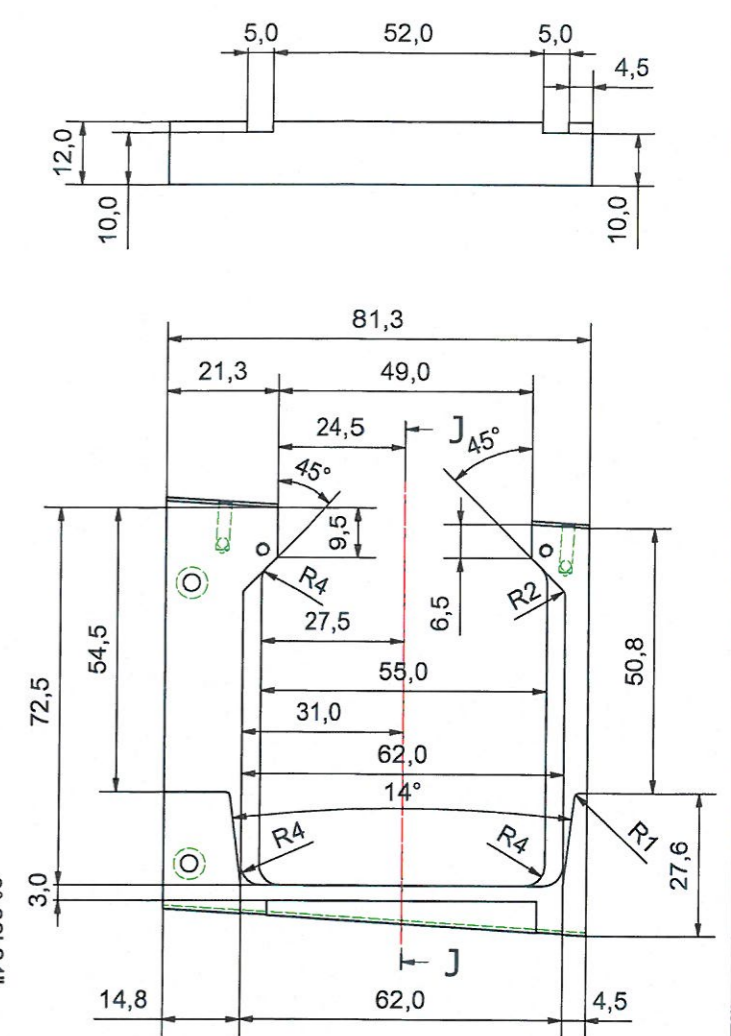
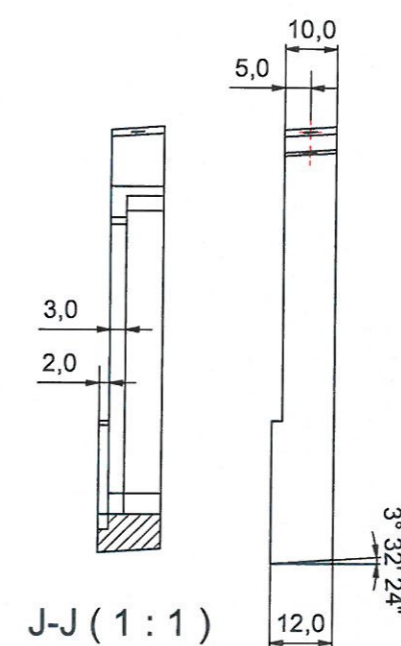
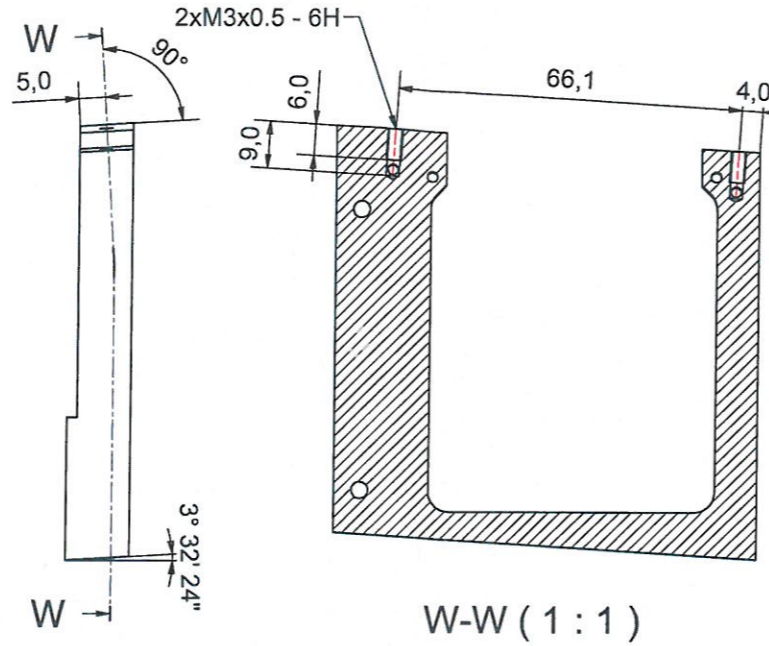
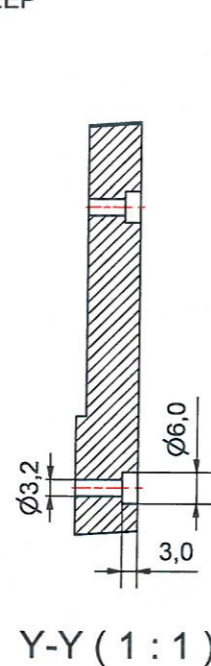
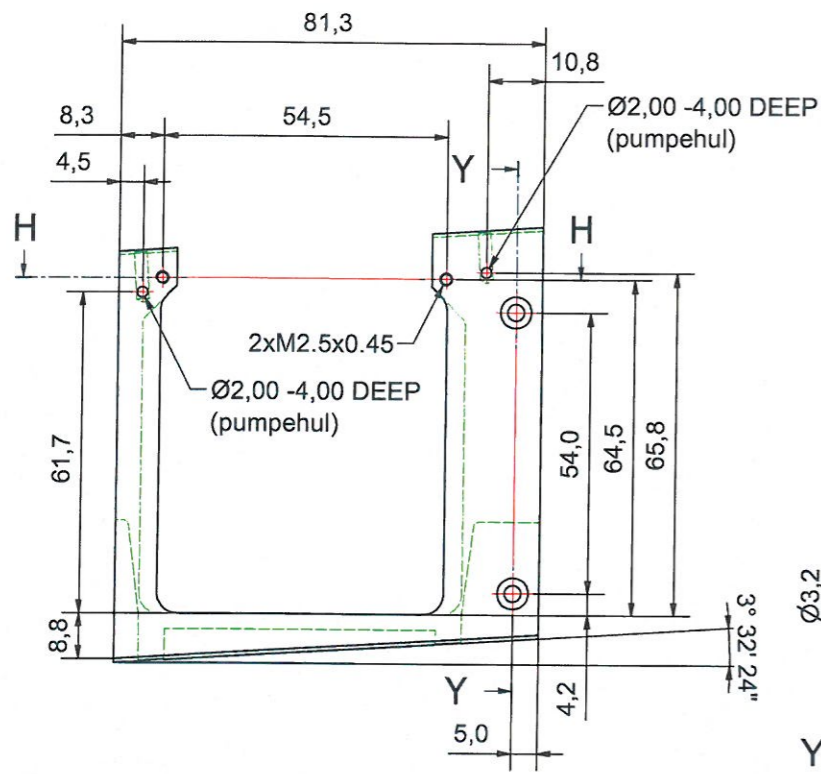
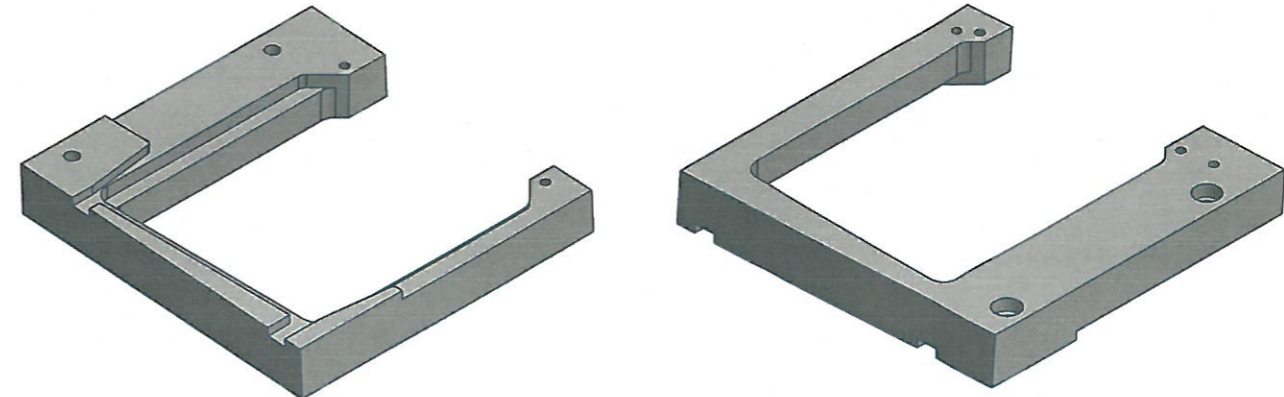
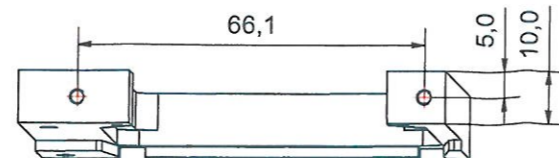
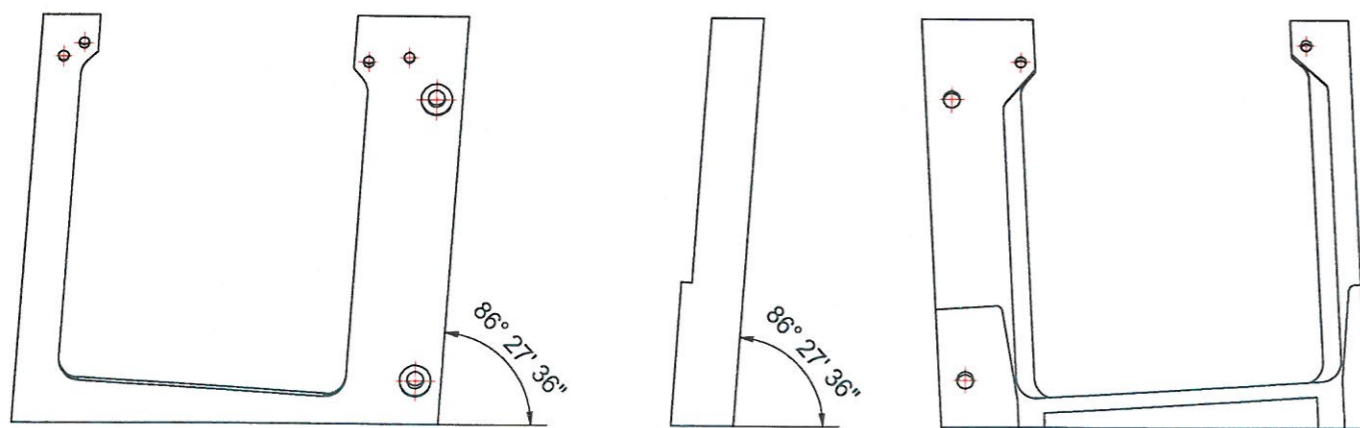



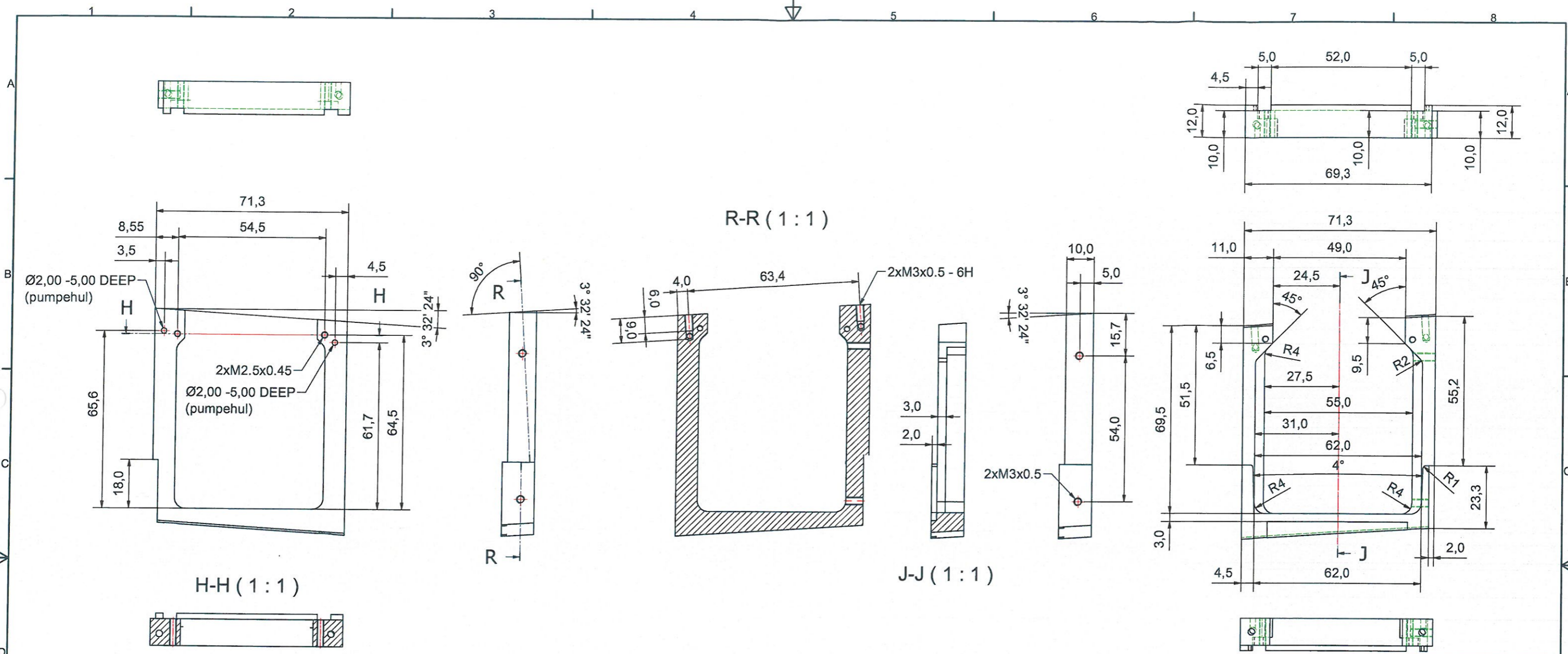
Department of Physics and Astronomy University of Aarhus				IFA 		Mtr Aluminum	
						Designer Henrik Juul	
				Project			
				Creation date: 09-03-2017		018898 - Shield M16X1	
				Last saved: 28 jan. 2014, 11:54		quadruple	
				Created by: Henrik Juul		Rev no.	
						A3	
C:\Working Folder\Designs\Hans Fynbol\3D Detectorholder\018898 - Shield M16X1 quadruple.ipt							



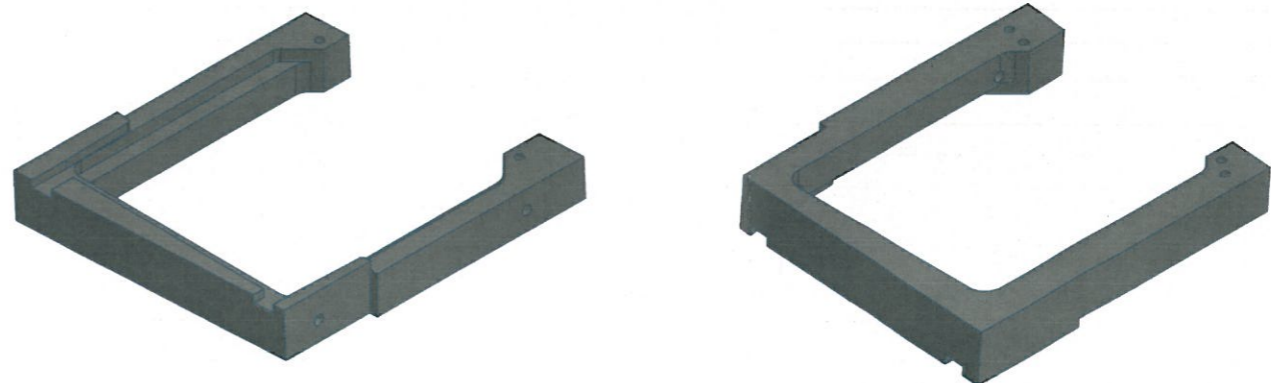
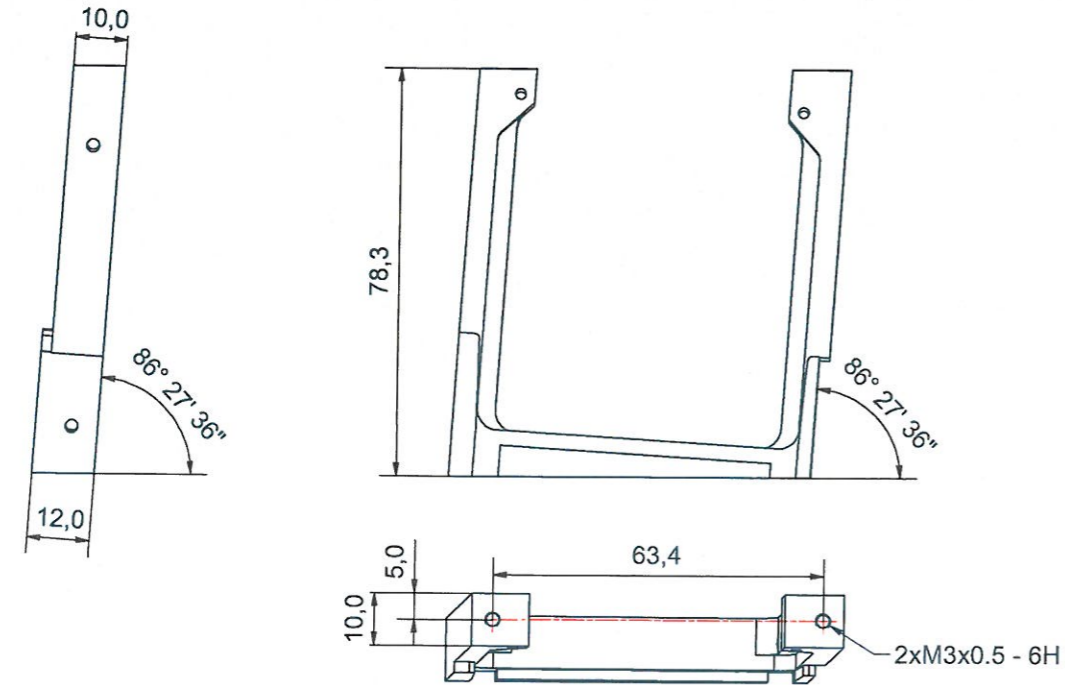
Emne roteret 3° 32' 24" (~3,5°) ift. ovenstående




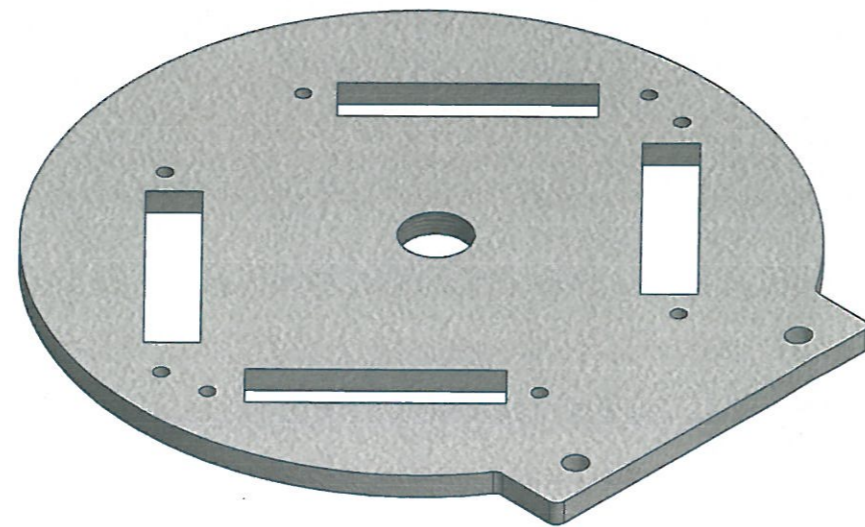
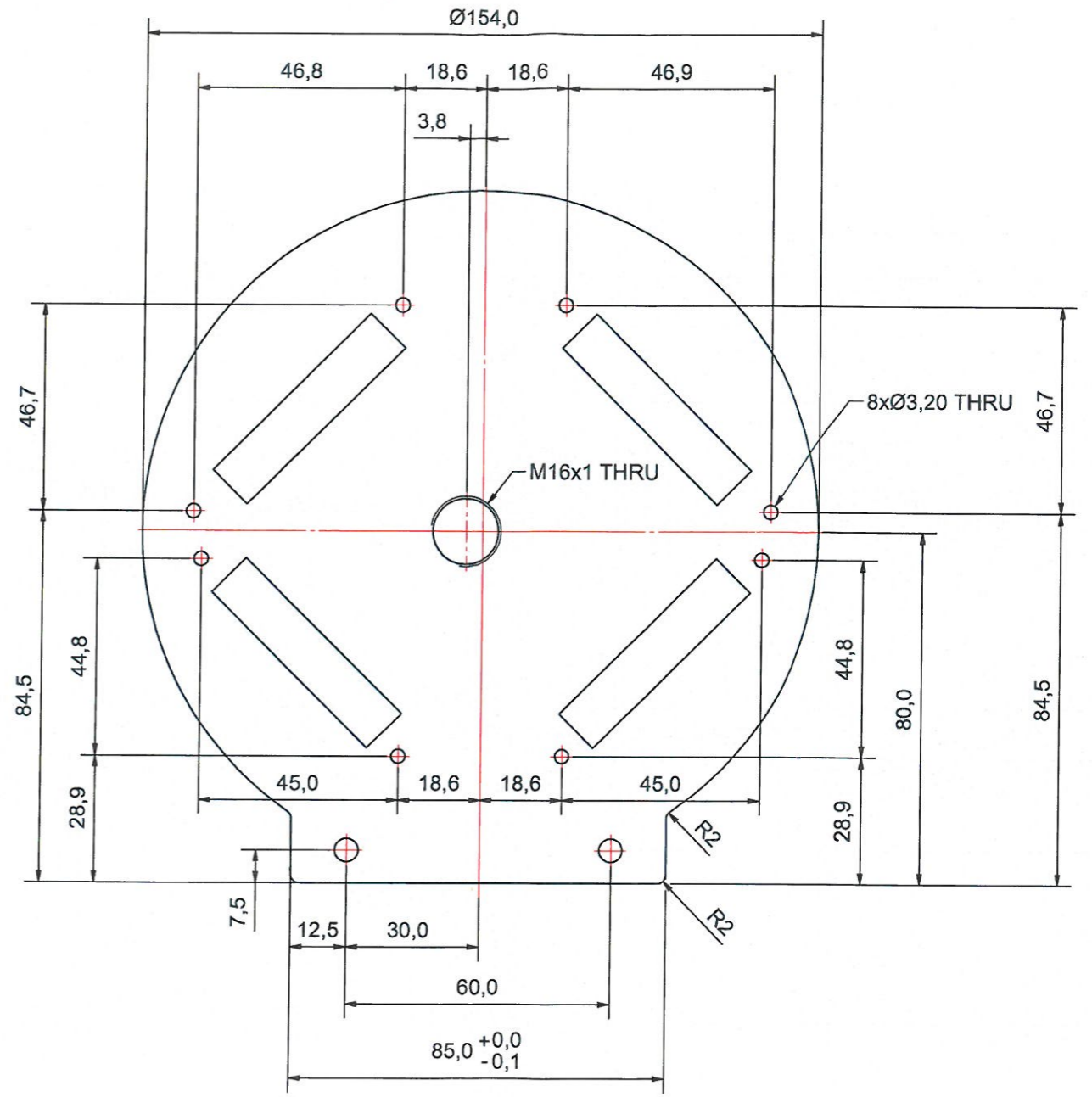
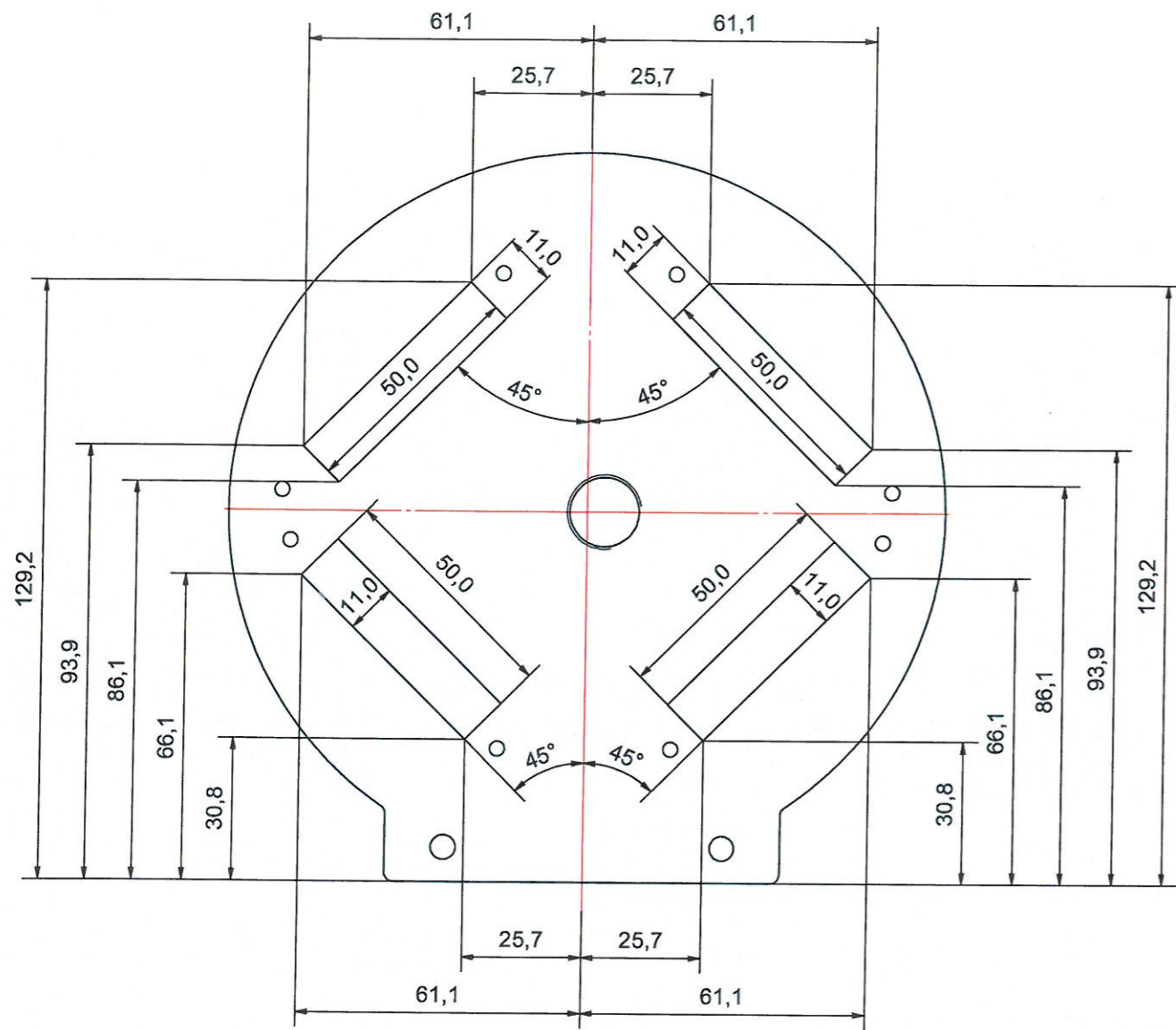
Department of Physics and Astronomy University of Aarhus		IFA 	Mtr POM Designer Henrik Juul
Project		018725 - Holder A for Si detector quadruple	Rev no. A2
Creation date: 13-03-2017	Last saved: 28 jan 2014, 11.54	Created by: hjuul	
Rev	Changes	Date	Name




Emne roteret 3° 32' 24" (~3,5°) ift. ovenstående



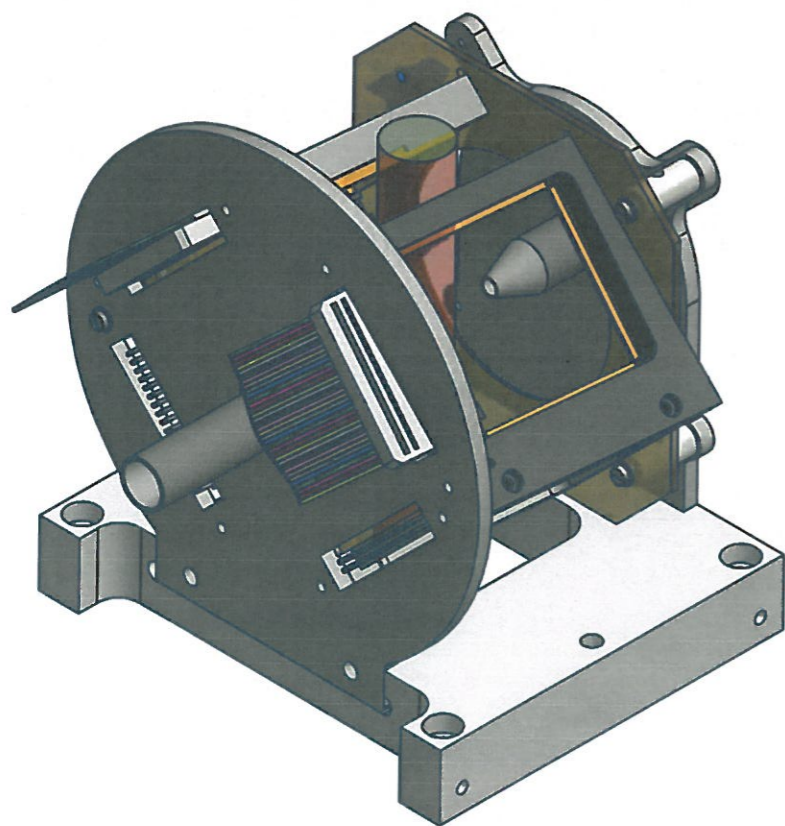
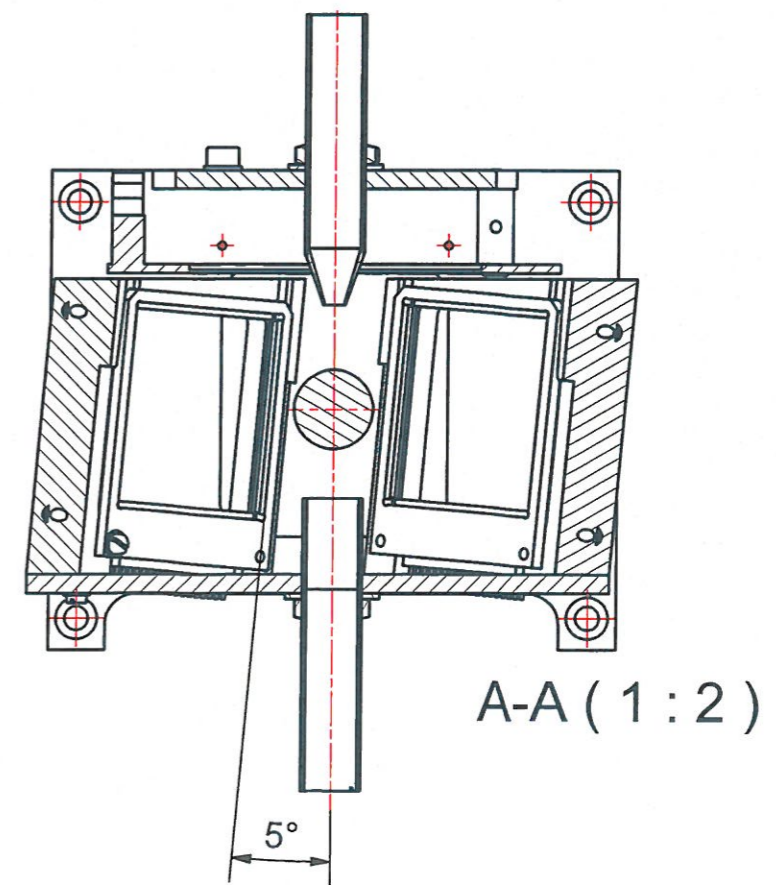
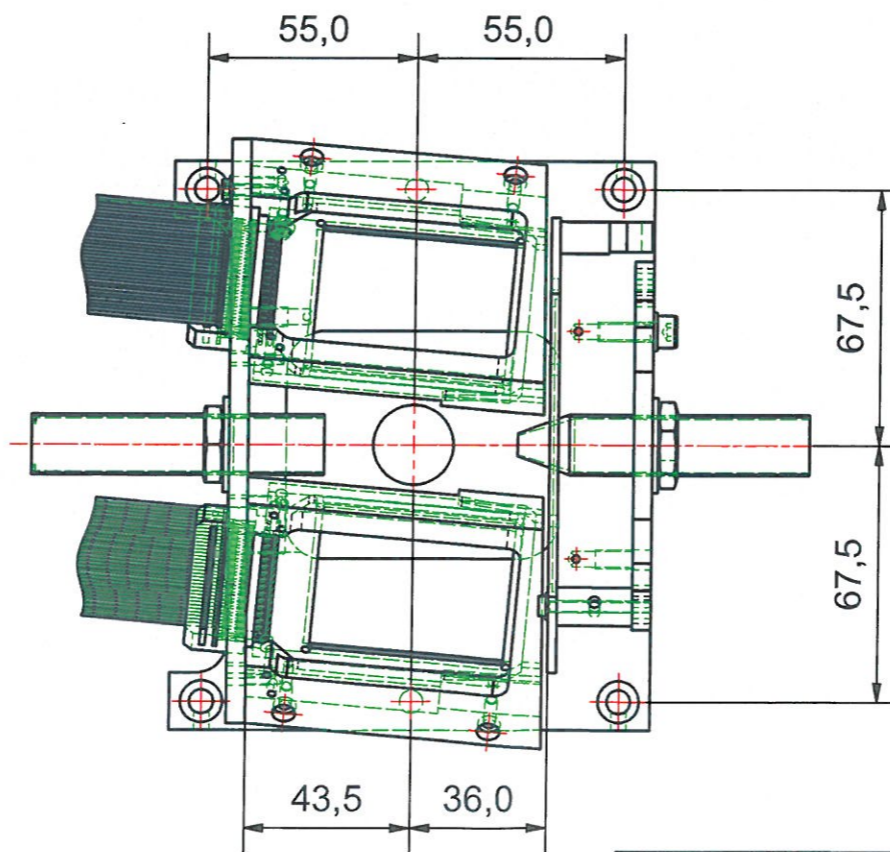
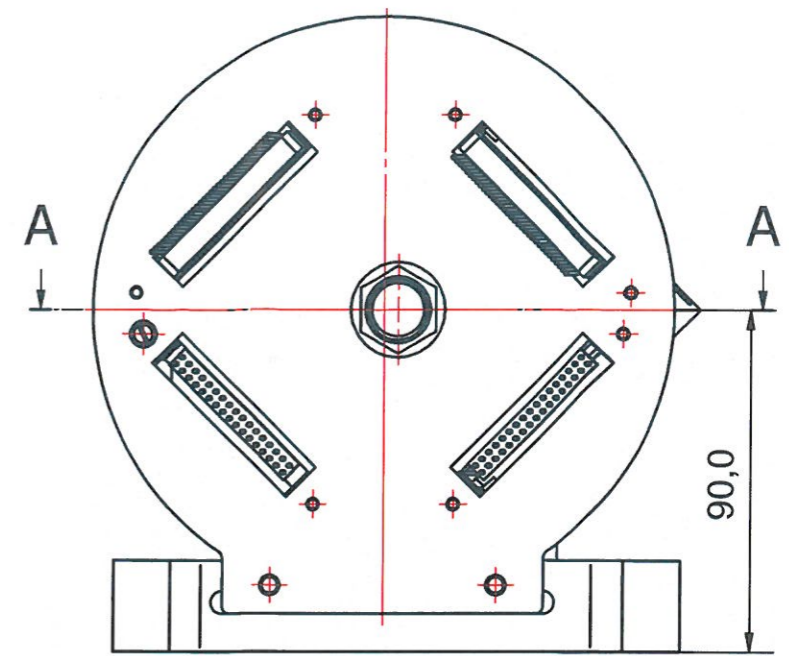
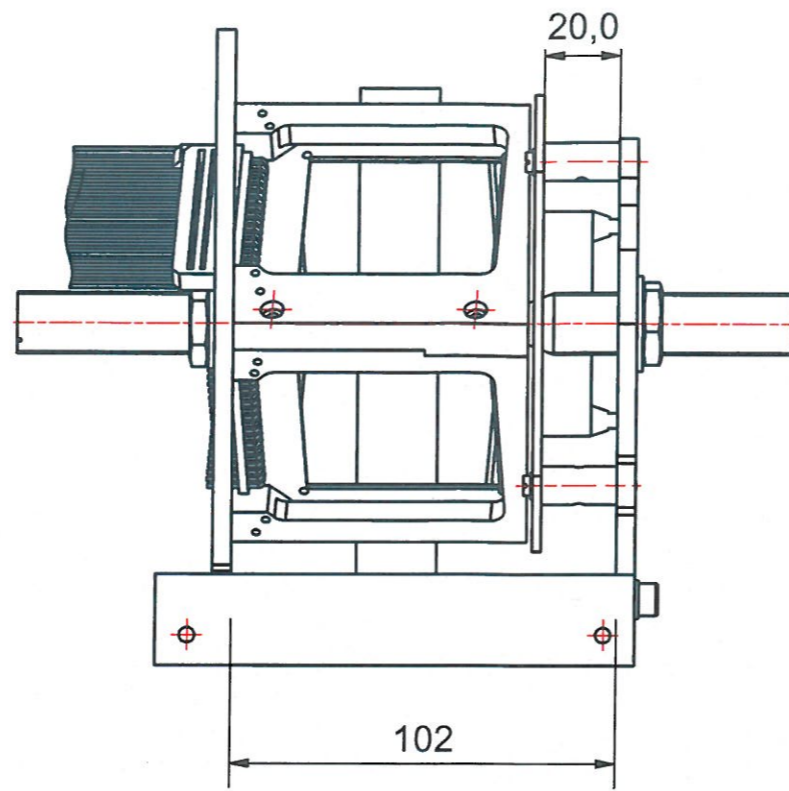
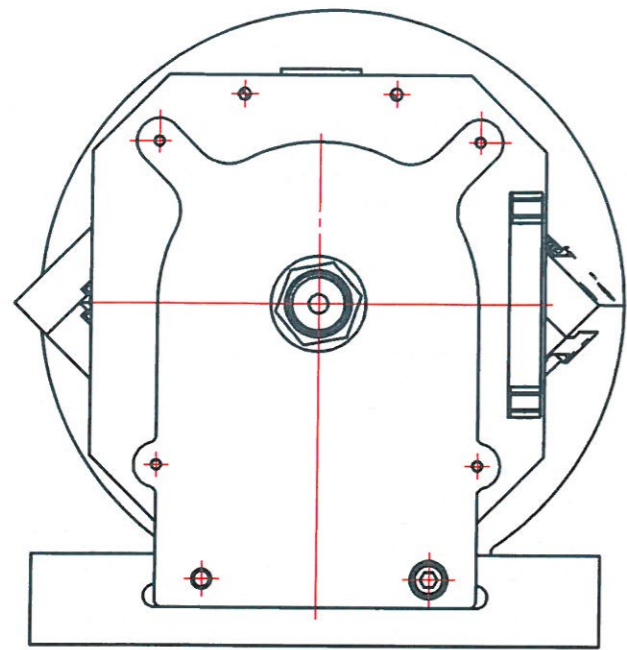
Department of Physics and Astronomy University of Aarhus		IFA 	Mtr POM Designer Henrik Juul
Project		018726 - Holder B for Si detector quadruple	Rev no. A2
Rev	Changes	Date	Name
			Created by hjuul
Creation date: 13-03-2017		Last saved: 28 jan 2014, 11:54	
C:\Working Folder\Designs\Hans Fynbo\3D Detectorholder\018726 - Holder B for Si detector quadruple.ipt			




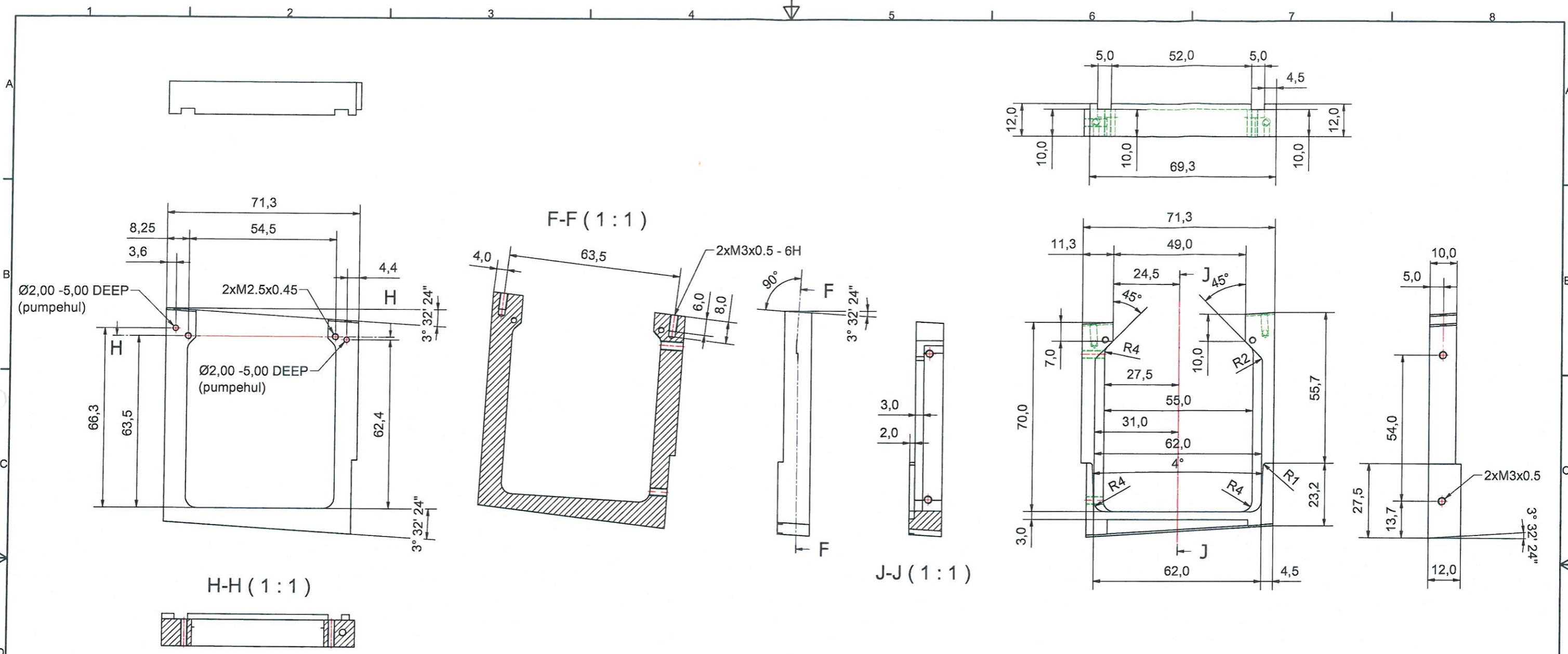
1 stk.

Department of Physics and Astronomy University of Aarhus		IFA 	Mtr Aluminum Designer Henrik Juul
Project		Creation date: 09-03-2017 Last saved: 28 jan 2014, 11:54	Rev no.
Created by: Henrik Juul		018833 - Base plate Si quadruple	A2
Rev	Changes	Date	Name

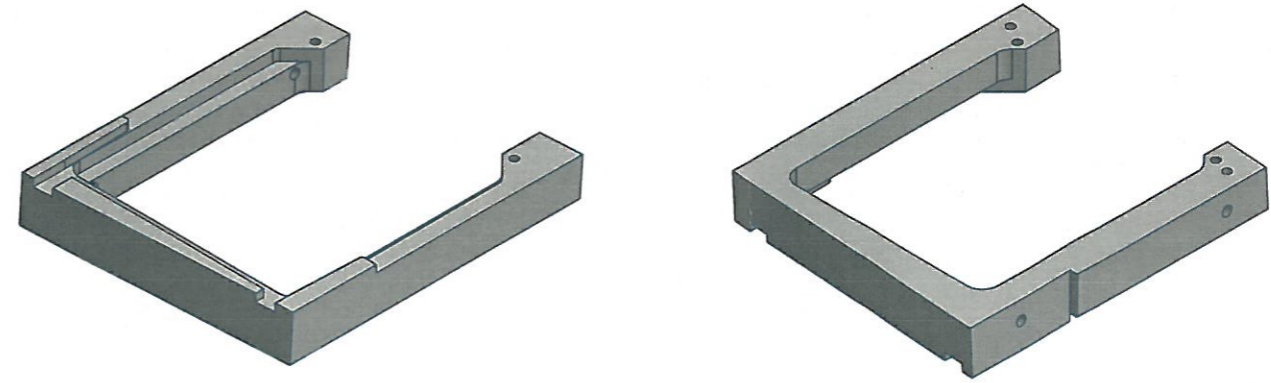
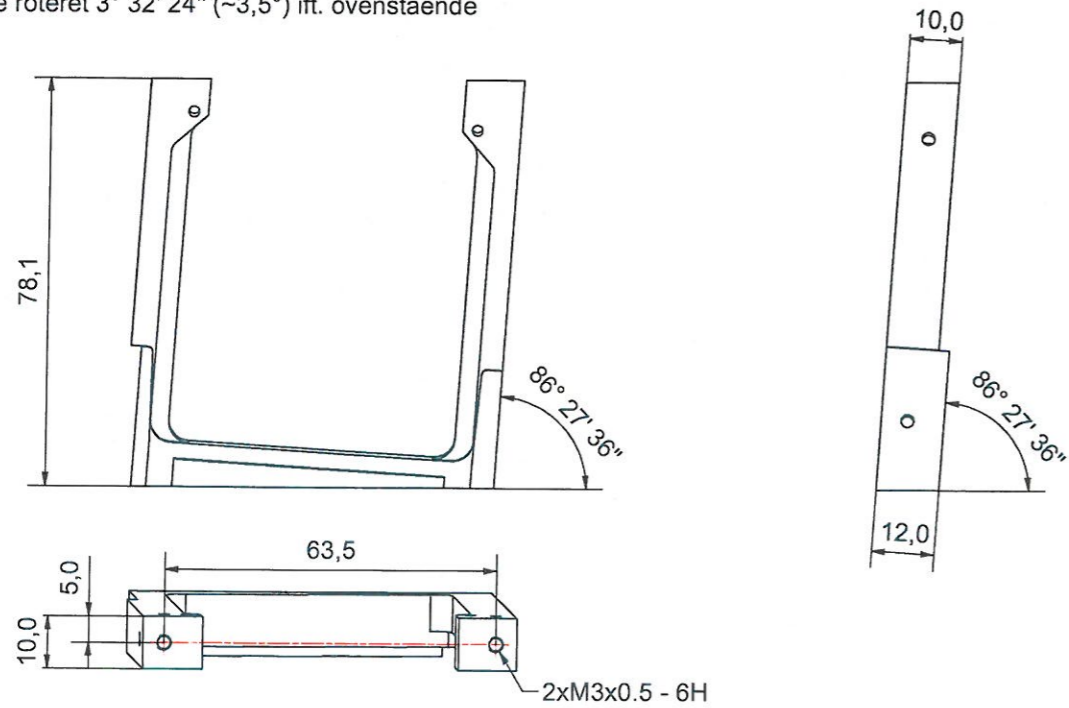
C:\Working Folder\Designs\Hans Fynbol\3D Detectorholder\018833 - Base plate Si quadruple.ipt




Department of Physics and Astronomy University of Aarhus				IFA 		Mtr	
				Project		Designer Henrik Juul	
				Creation date: 06-03-2017		018712 - Si detector quadruple assem	
				Last saved: 28 jan. 2014, 11:54			
				Created by: Henrik Juul		Rev no.	
				C:\Working Folder\Designs\Hans Fynbo\3D Detectorholder\018712 - Si detector quadruple assem.iam		A3	

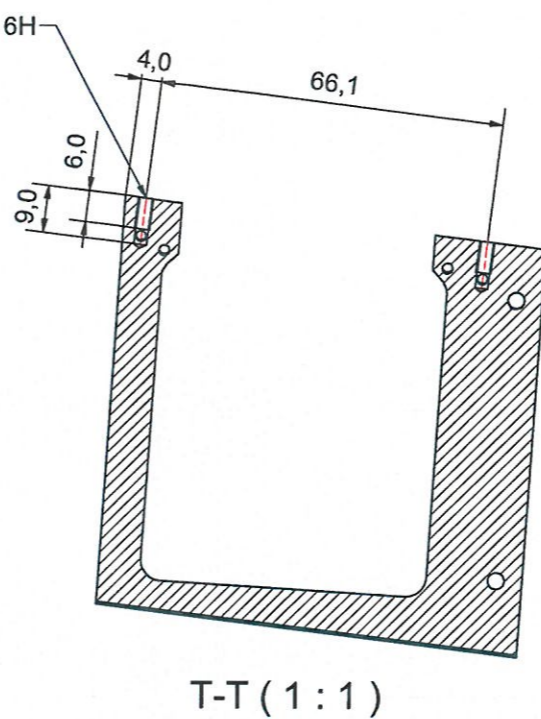
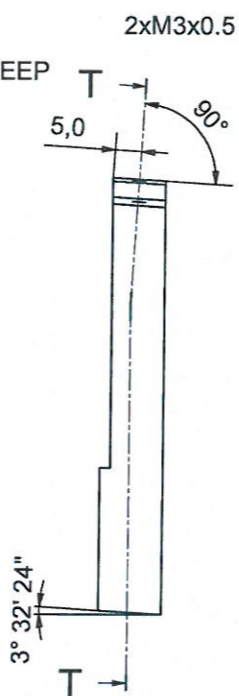
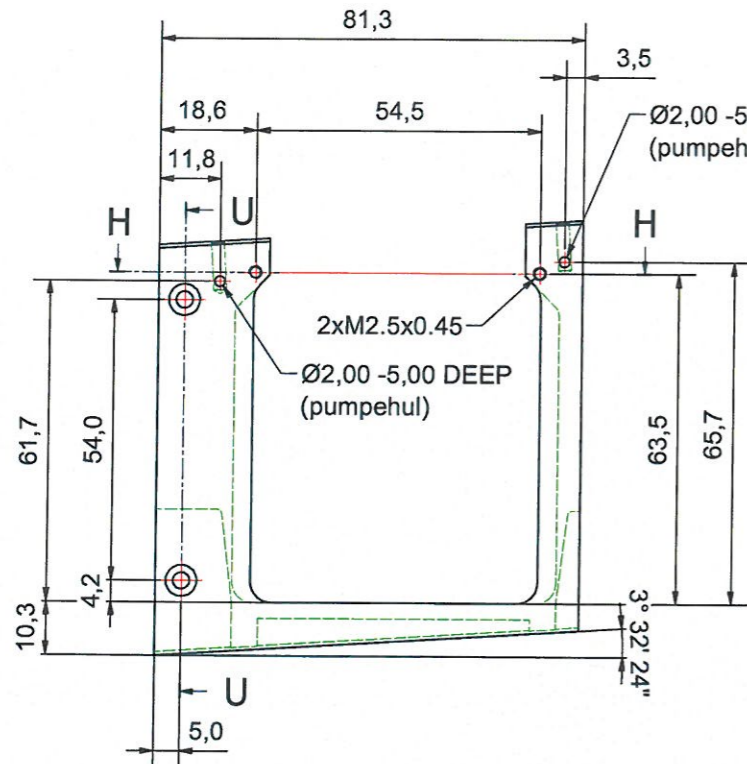
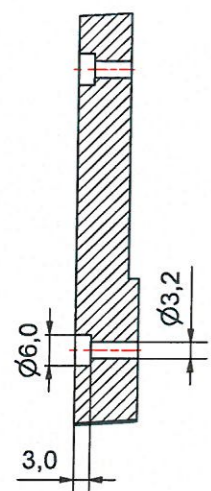


Emne roteret 3° 32' 24" (~3,5°) ift. ovenstående

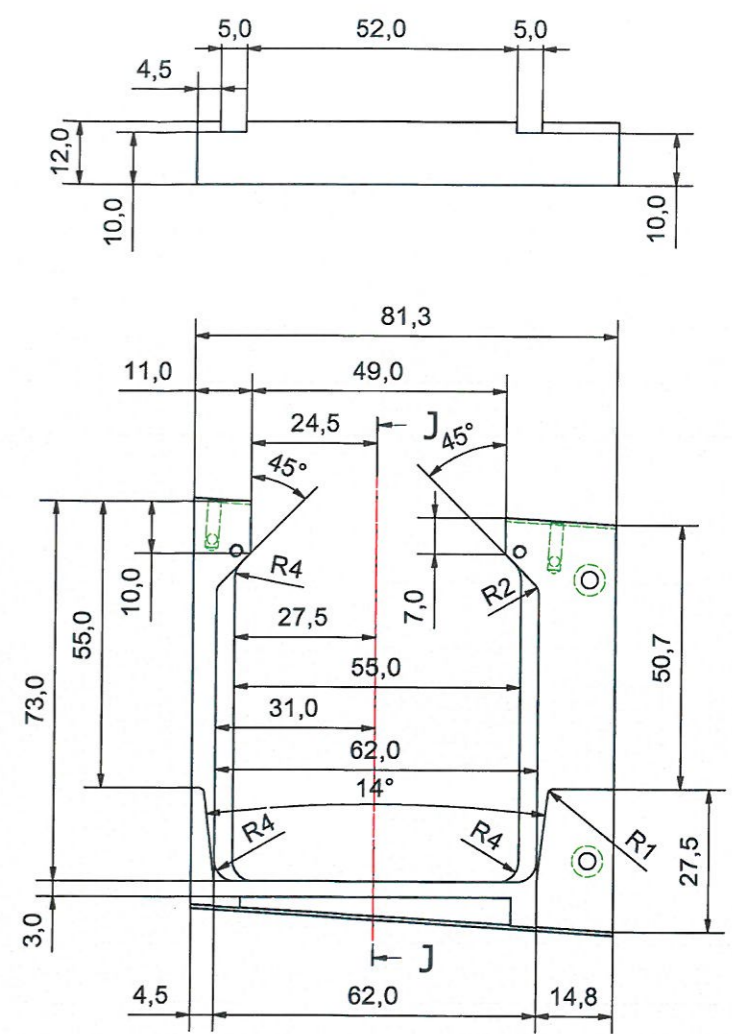
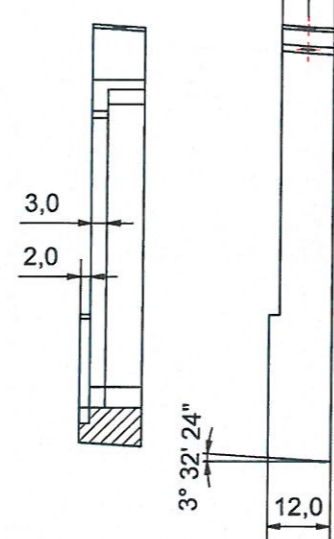


Department of Physics and Astronomy University of Aarhus		IFA 	Mtr POM Designer Henrik Juul
Project		Creation date: 13-03-2017 Last saved: 28 jan 2014, 11.54 Created by: hjuul	018727 - Holder C for Si detector quadruple Rev no. A2
Rev	Changes	Date	Name
C:\Working Folder\Designs\Hans Fynbol\3D Detectorholder\018727 - Holder C for Si detector quadruple.ipt			

U-U (1:1)



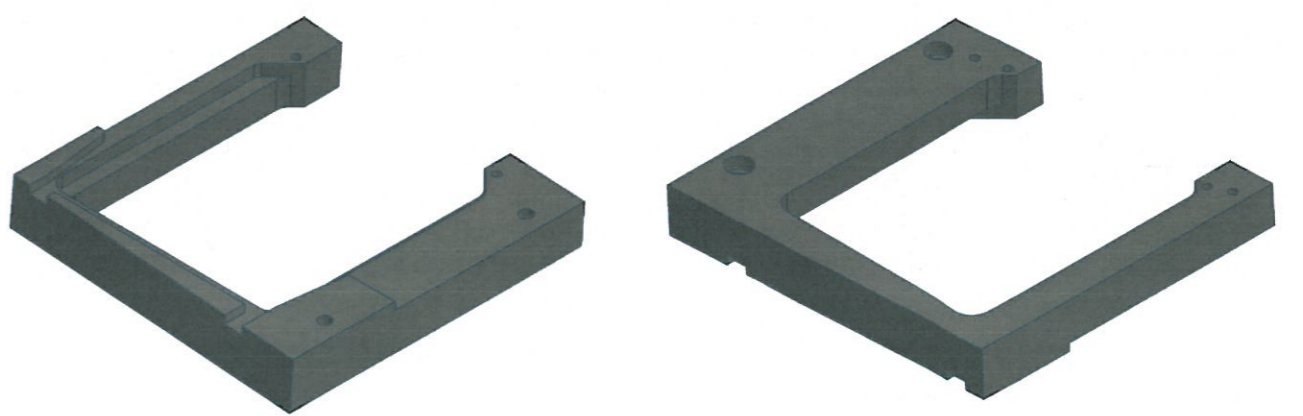
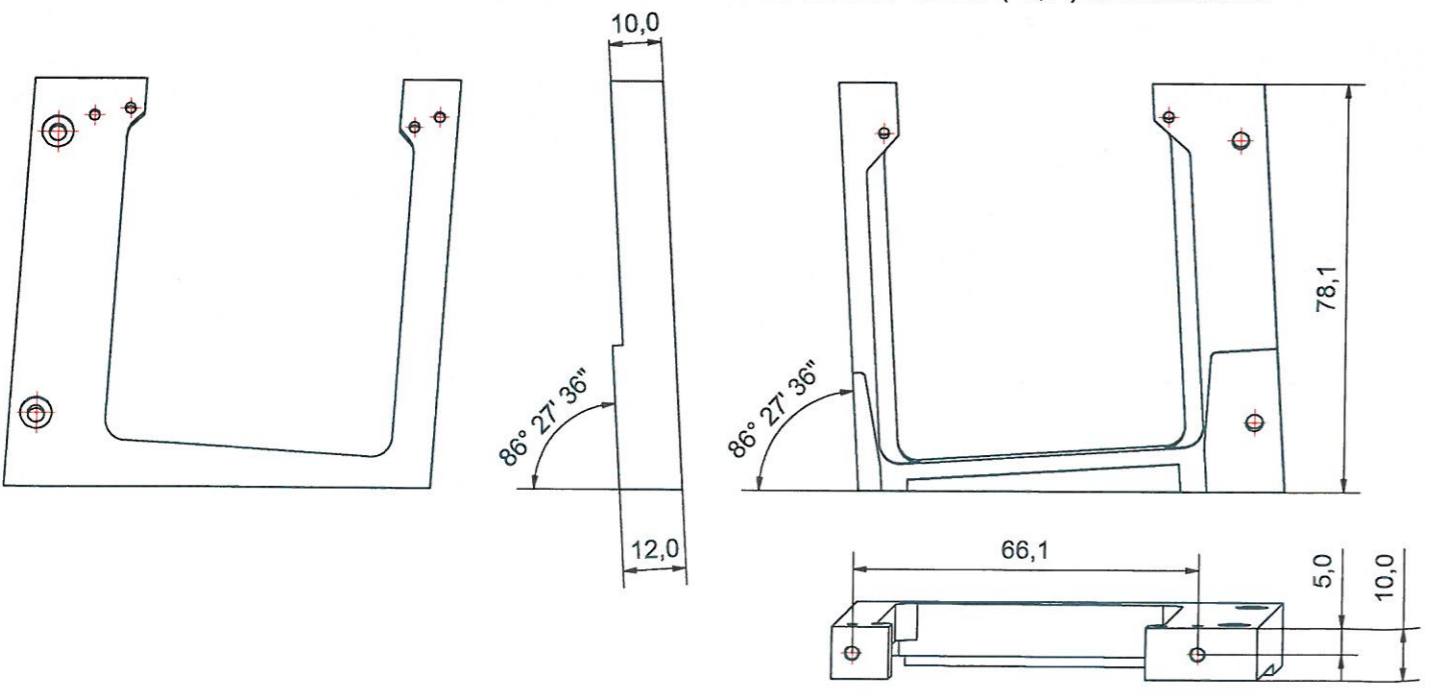
J-J (1:1)



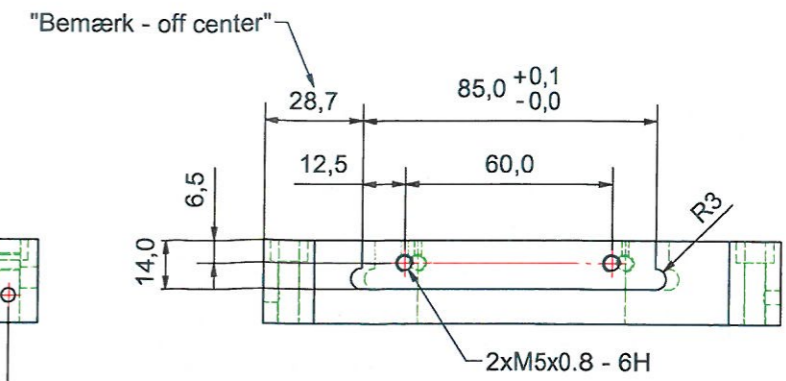
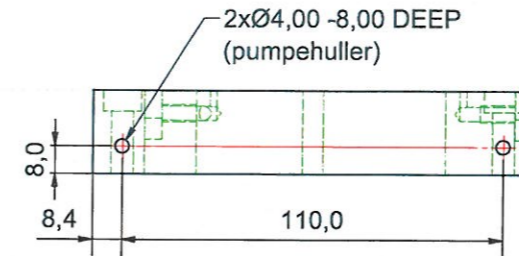
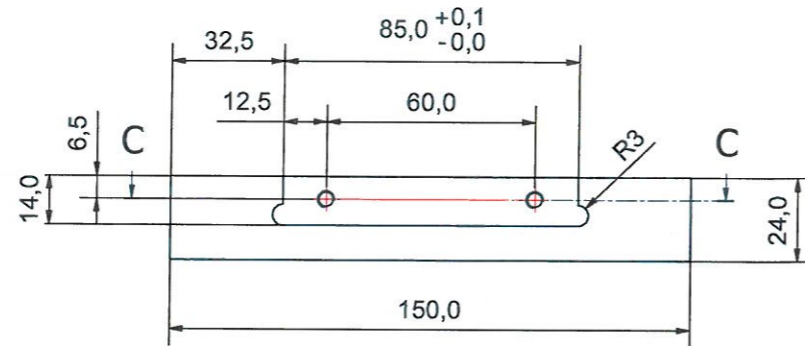
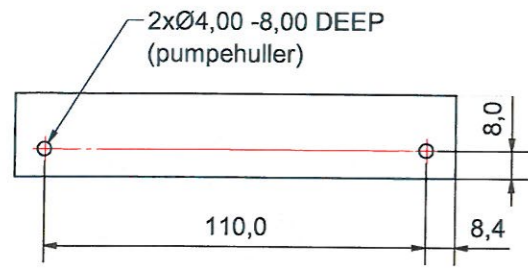
H-H (1:1)



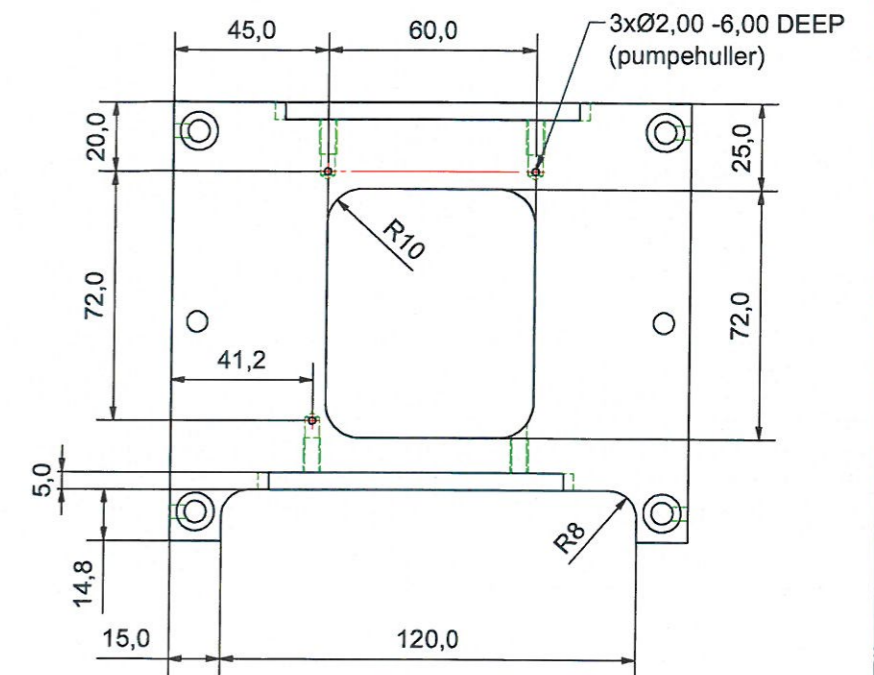
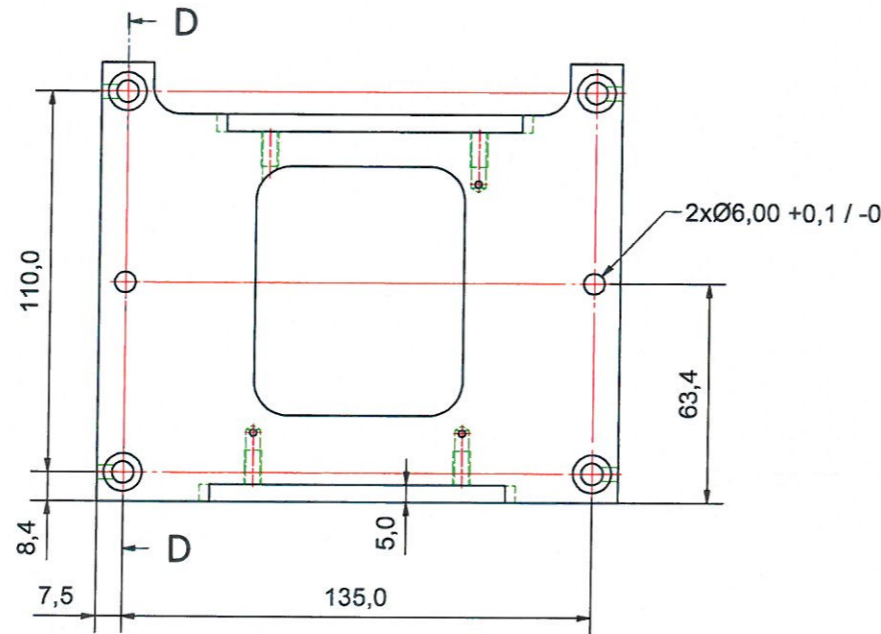
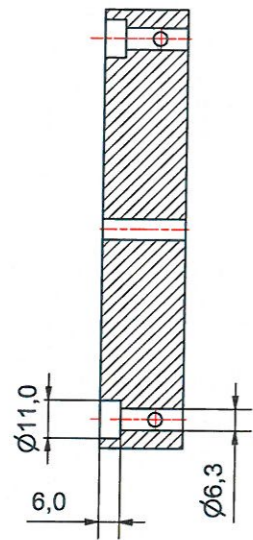
Emne roteret 3° 32' 24" (~3,5°) ift. ovenstående



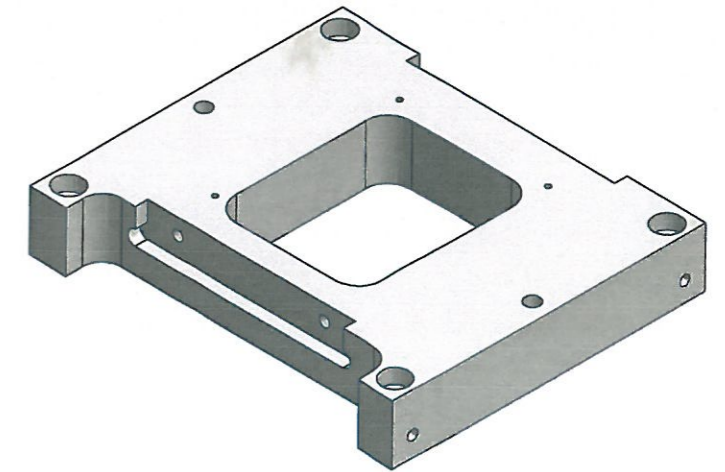
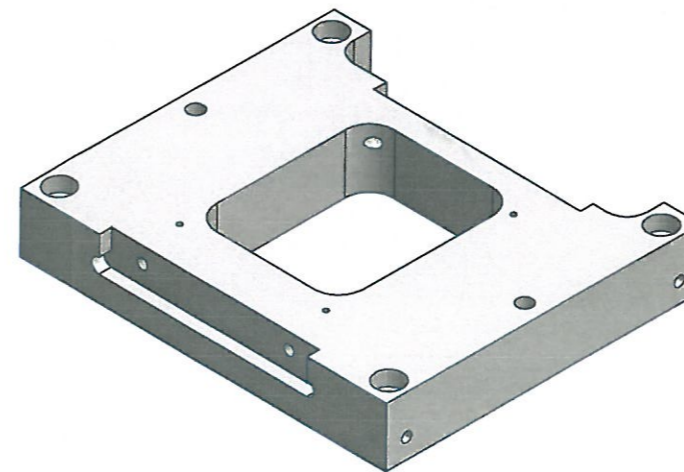
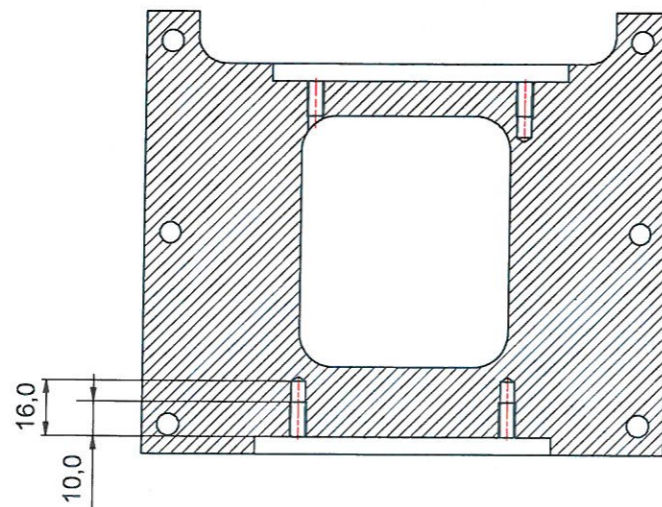
Department of Physics and Astronomy University of Aarhus		IFA	Mtr POM
		Designer	Henrik Juul
Project		018728 - Holder D for Si detector quadruple	
Creation date: 13-03-2017		Rev no.	
Last saved: 26 jan 2014, 11.54		A2	
Rev	Changes	Date	Name
			Created by hjuul




D-D (1 : 1,5)



C-C (1 : 1,5)



Department of Physics and Astronomy University of Aarhus		IFA 	Mtr Aluminum Designer Henrik Juul
Project		018907 - Base quadruple	Rev no.
Creation date: 13-03-2017		A2	
Last saved: 28 jan. 2014, 11:54			
Created by: Henrik Juul			
Rev	Changes	Date	Name

C:\Working Folder\Designs\Hans Fynbo\3D Detectorholder\018907 - Base quadruple.ipt