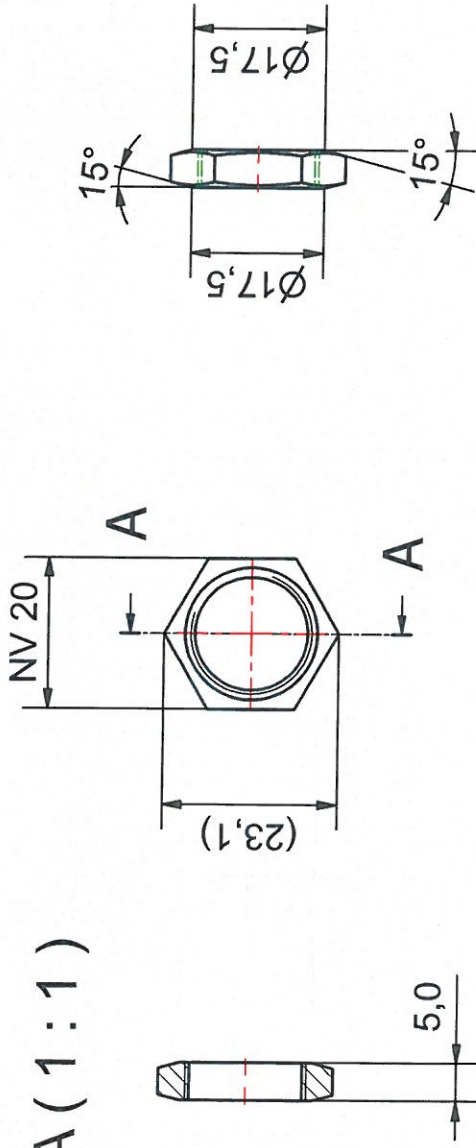



A-A (1:1)

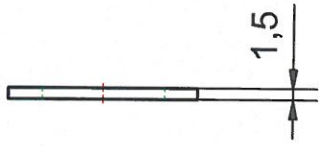
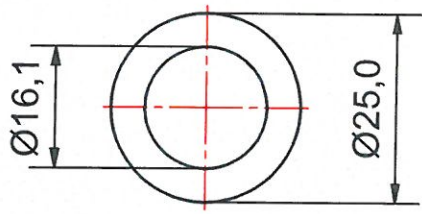


2 stk.




| | | | |
|---|---------|---|-------------------------|
| Department of Physics and Astronomy University of Aarhus | | IFA | Mtr Aluminium |
| | |  | Designer Henrik Juul |
| | | Project | |
| | | Creation date: 16-03-2017 | Rev no. |
| | | Last saved: 28 Jan. 2014, 11:54 | |
| | | Created by: jeva | A4 |
| Rev | Changes | Date | Name |
| | | | |
| C:\Working Folder\Designs\Hans Fynbo\3D Detectorholder\019078 - Nut M16X1.ipt | | | |

019078 - Nut M16X1



2 stk.

| | | | |
|--|---------|---|----------------------------|
| Department of Physics and Astronomy University of Aarhus | | IFA | Mtr Stainless Steel |
| | |  | Designer Henrik Juul |
| | | Project | |
| | | Creation date: 16-03-2017 | |
| | | Last saved: 28 jan. 2014, 11:54 | |
| | | Created by: | |
| Rev | Changes | Date | Name |
| | | | |
| | | | Rev no. 019077 - Washer |
| | | | A4 |
| C:\Working Folder\Designs\Hans Fynbo\3D Detectorholder\019077 - Washer.ipt | | | |