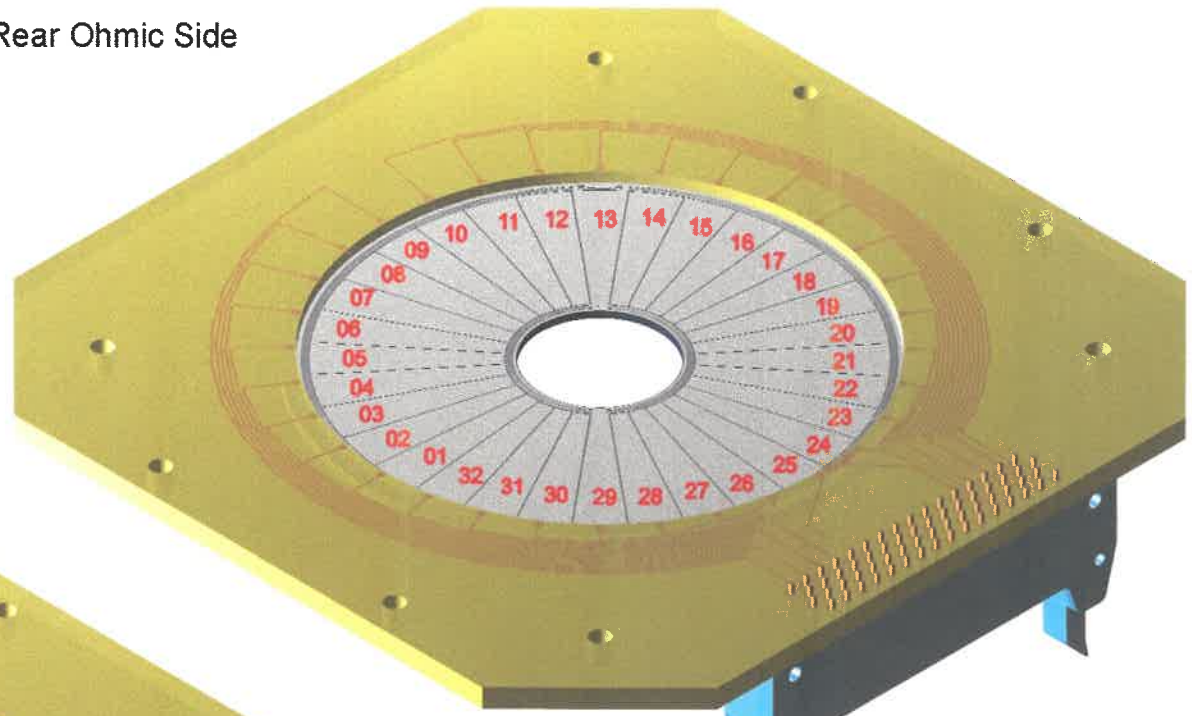
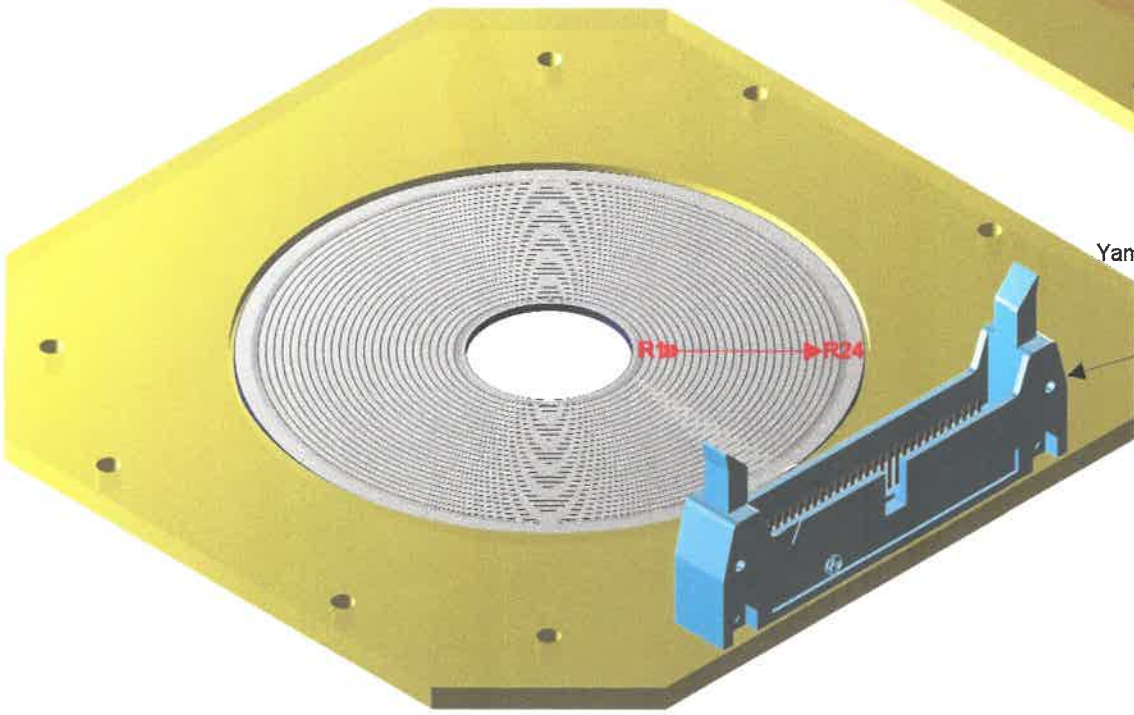


Rear Ohmic Side



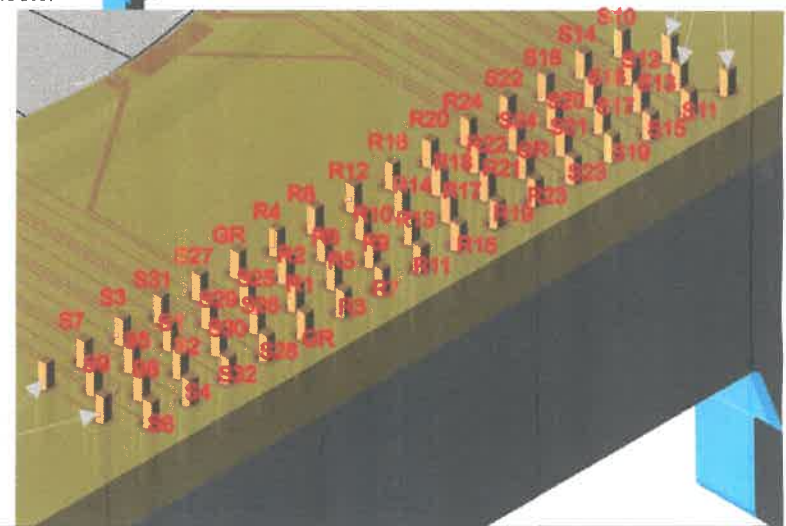
Front Junction Side



Yamaichi 64 way straight connector  
NFP-64A-0314-BF  
Exiting Front Side.

Spare 3 Pins  
Commoned

Spare 2 Pins  
Commoned



For pin out please refer to A-3300

Drawn	Checked	Date	Tolerances Unless Stated	Outputs Via: Yamaichi 4 Row Right Angled Connector NFP-64A-0314-BF	Title.
N.W	S.W	05/11/2009	Package O/D $\pm 0.1\text{mm}$	Mating connector: Yamaichi NFS-64A Series	
Des.			Package Hole $\pm 0.05\text{mm}$	Potted Wire Bonds: No	
Appd.			Package Hole Pos'n $\pm 0.1\text{mm}$	Substrate Number: A-3329	
Customer			Detector O/D $\pm 20.0\mu\text{m}$	Substrate Material: 2.4mm thick FR4 PCB material.	
				Connector Orientation: To exit front junction side.	

S3 with Straight Connector  
3D Assembly.  
Front and Rear View.



MICRON SEMICONDUCTOR LIMITED

THIS DOCUMENT IS THE PROPERTY OF  
MICRON SEMICONDUCTOR LTD AND IS  
COMMERCIAL IN CONFIDENCE

graphics@micronsemiconductor.co.uk

Scale N/A

Dims In. mm

Drg No **A-3721**