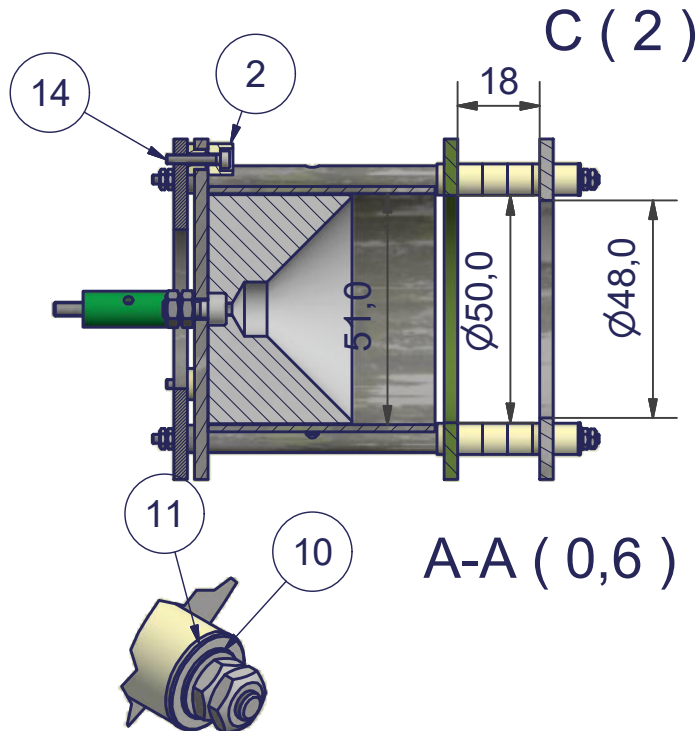


Hæftes her min 3 steder



B-B (1,2)

D (2)

Parts List		
ITEM	QTY	PART NUMBER
1	3	afstandstag
2	15	CSB-2F
3	9	CSB-2M
4	3	26 stag for farradaycup rev 2
5	2	ISO 4032 - M4
6	1	DIN 912 - M4 x 10
7	1	35 hulplade
8	1	interface ring ver 2
9	1	modtagerplade rev 2
10	1	DIN 125-1 - B 2,2
11	6	DIN 125-1 - B 3,2
12	12	DIN 934 - M2
13	3	gevindstag M2 kernereaktionsopstilling
14	3	DIN 912 - M2 x 12
15	1	36 shield
16	1	37 modtagerrør
17	3	DIN 912 - M3 x 30
18	1	38 cup for rev 2

Institute of Physics and Astronomy Aarhus Universitet			Mtr
			Designer
		Project	
		Creation date: 19-12-2013	
		Last saved: 22 jan. 2014, 14:36	
		Saved by: bechtold	
Rev	Changes	Date	Name
Layout farraday cup fynbo ver 2			Rev no.
			A3

O:\IST\_IFA-Tegnstuen\Inventor filer\Hans Fynbo/Layout farraday cup fynbo ver 2.iam